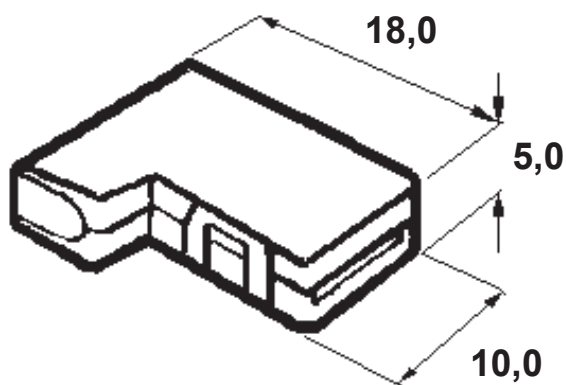



DIM.	TOL.
5mm DOWN	±0.2
5~20mm	±0.3
20~40mm	±0.4
40~60mm	±0.5
60~100mm	±0.8
100mm UP	±1.0

REVISIONS			
REV	DESCRIPTION	DATE	BY



NOTES:

- TERMINAL GROOVE WIDTH 6,3
- FOR RECEPTACLE

				TITLE CAPS	
				MATERIAL PA 6.6 V2(UL94)	DATE 03/12/2021
PART NUMBER 0919AA00				DRAWN A.C.	
				DRAWING NUMBER 21.12.03.0919.0.E	
SIZE A4				COLOR NATURAL	
				CHECK	
SCALE NTS		UNIT mm.		REV A	
UNLESS OTHERWISE SPECIFIED TOLERANCE SEE ABOVE				APPROVED	