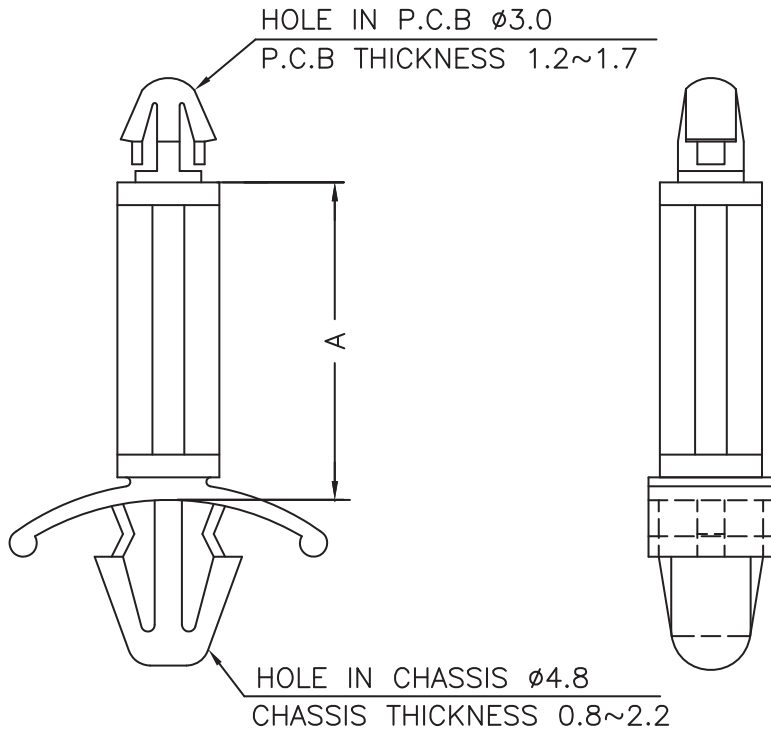


DIM.	TOL
5mm DOWN	±0.2
5~20mm	±0.3
20~40mm	±0.4
40~60mm	±0.5
60~100mm	±0.8
100mm UP	±1.0

REVISIONS			
REV	DESCRIPTION	DATE	BY



PART NO.	A
8418AA00	3.2
8419AA00	4.8
8420AA00	6.3
8421AA00	8.0
8422AA00	10.0
8423AA00	12.0
8424AA00	14.0
8425AA00	16.0
8426A00	18.0
Special request	25.0



fastpoint		TITLE LOCKING P.C.B. SPACER	
		MATERIAL PA66 V2 UL 94	DATE 17/05/2011
PART NUMBER SEE TABLE		DRAWING NUMBER 11.05.17.8418.0.E	
		COLOR NATURAL	CHECK
SIZE A4	SCALE NTS	UNIT mm.	REV A
UNLESS OTHERWISE SPECIFIED TOLERANCE SEE ABOVE		APPROVED	