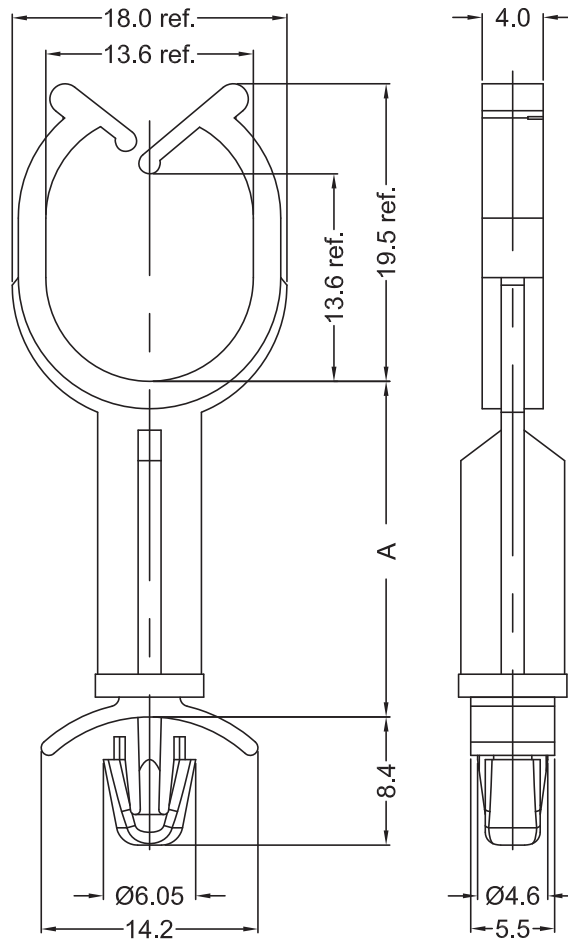



DIMENSION	TOLERANCE
$L \leq 4$	± 0.10
$4 < L \leq 15$	± 0.20
$15 < L \leq 50$	± 0.30
$50 < L \leq 100$	± 0.40

REVISIONS			
REV	DESCRIPTION	DATE	BY



P/N	A
14104AA0009.5	9.5
14104AA0012.7	12.7
14104AA0019.1	19.1
14104AA0025.4	25.4
14104AA0031.8	31.8

Notes:
 RoHS Compliant;
 Hole : $\varnothing 4,8 \pm 0,1$
 Panel Thickness : 1,6 mm

				TITLE STAND-OFF HARDNESS CLIP			
				MATERIAL PA66 V2(UL94)		DATE 14/01/2021	
				DRAWN R.F.			
PART NUMBER 14104AA00XX.X		DRAWING NUMBER 21.01.14.14104.0.E		COLOR NATURAL			
SIZE A4	SCALE NTS	UNIT mm.	REV A	UNLESS OTHERWISE SPECIFIED TOLERANCE SEE ABOVE			
				CHECK 			
				APPROVED 			