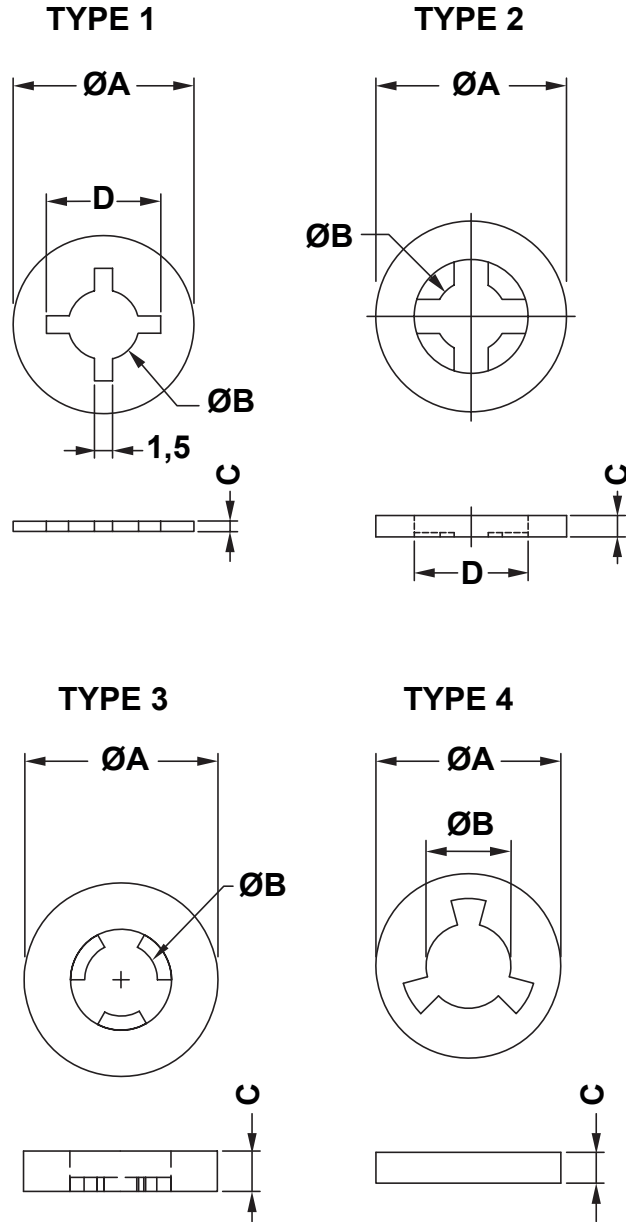


DIM.	TOL.
5mm DOWN	±0.2
5~20mm	±0.3
20~40mm	±0.4
40~60mm	±0.5
60~100mm	±0.8
100mm UP	±1.0

REVISIONS			
REV	DESCRIPTION	DATE	BY



P/N	TYPE	A	B	C	D	Material
12040AA00	1	Ø 15,0	Ø 5,8	0,9	9,5	PA 6.6 V2 (UL94)
12034AA00	2	Ø 6,7	Ø 2,5	0,8	4,0	PA 6.6 V2 (UL94)
12036AA00	2	Ø 8,0	Ø 3,3	1,0	5,0	PA 6.6 V2 (UL94)
12035AA00	2	Ø 6,7	Ø 2,5	1,2	3,5	PA 6.6 V2 (UL94)
12037AA00	2	Ø 9,9	Ø 3,8	0,8	5,9	PA 6.6 V2 (UL94)
12038AA00	2	Ø 11,4	Ø 4,6	0,8	7,1	PA 6.6 V2 (UL94)
12039AA00	2	Ø 15,0	Ø 5,0	0,9	9,5	PA 6.6 V2 (UL94)
12041AA00	2	Ø 18,0	Ø 5,8	1,5	9,5	PA 6.6 V2 (UL94)
15245AA00	2	Ø 16,0	Ø 7,0	1,5	11,0	PA 6.6 V2 (UL94)
12031AA00	3	Ø 4,8	Ø 1,8	1,0	-	PA 6.6 V2 (UL94)
12032AA00	4	Ø 4,8	Ø 2,2	0,8	-	PA 6 HB (UL94)
12033AA00	4	Ø 4,8	Ø 2,2	1,0	-	PA 6 V2 (UL94)

REV.	DESCRIPTION	DATE	TITLE: FIXING WASHER	DWG UNIT: MM
	MATERIAL: SEE TABLE		Modelled in RHINO 4.0	
	COLOUR: NATURAL		FILE: D:\21.11.18\XXXXX.0.E	
			TOLLERANCES UNLESS NOTED	
			SEE ABOVE	
			SHEET: 1 OF 1	
			SCALE: NTS	
			DwN: 18/11/21	
			DT: 21.11.18.XXXXX.0.E	
			ChkD: Part Number: SEE TABLE	