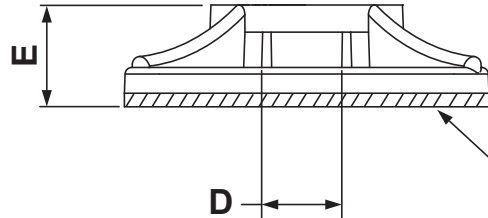
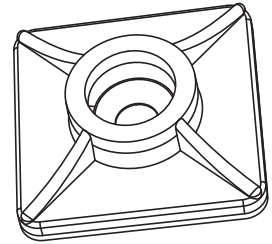
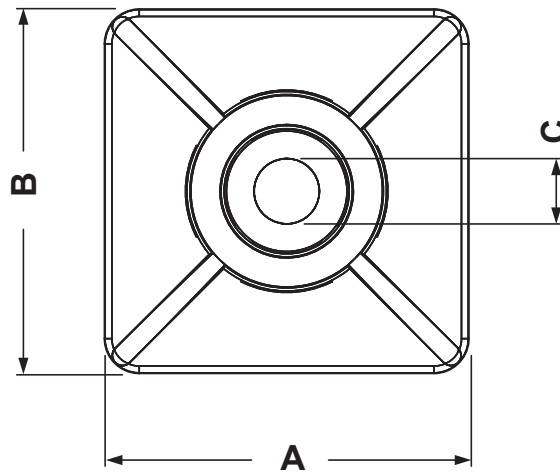


DIM.	TOL.
5mm DOWN	±0.2
5~20mm	±0.3
20~40mm	±0.4
40~60mm	±0.5
60~100mm	±0.8
100mm UP	±1.0

REVISIONS			
REV	DESCRIPTION	DATE	BY



**DOUBLE ADHESIVE TAPE
(THICKNESS 1.0 mm)**



P/N	A	B	C	D	E	Adhesive
1104AA00AS	19,0	19,0	4,1	5,0	6,0	Standard
1105AA00AS	26,5	26,5	4,8	6,4	8,0	Standard
1104AA00CS	19,0	19,0	4,1	5,0	6,0	Acrylic
1105AA00CS	26,5	26,5	4,8	6,4	8,0	Acrylic



fastpoint		TITLE		SELF-ADHESIVE CABLE TIE MOUNT	
		MATERIAL		ABS HB(UL94)	
		DATE		05/11/2021	
PART NUMBER		DRAWING NUMBER		DRAWN	
SEE TABLE		21.11.05.110X.0.E		R.F.	
SIZE		UNIT		CHECK	
A4		mm		NATURAL	
SCALE		REV		UNLESS OTHERWISE SPECIFIED TOLERANCE	
NTS		A		SEE ABOVE	
				APPROVED	