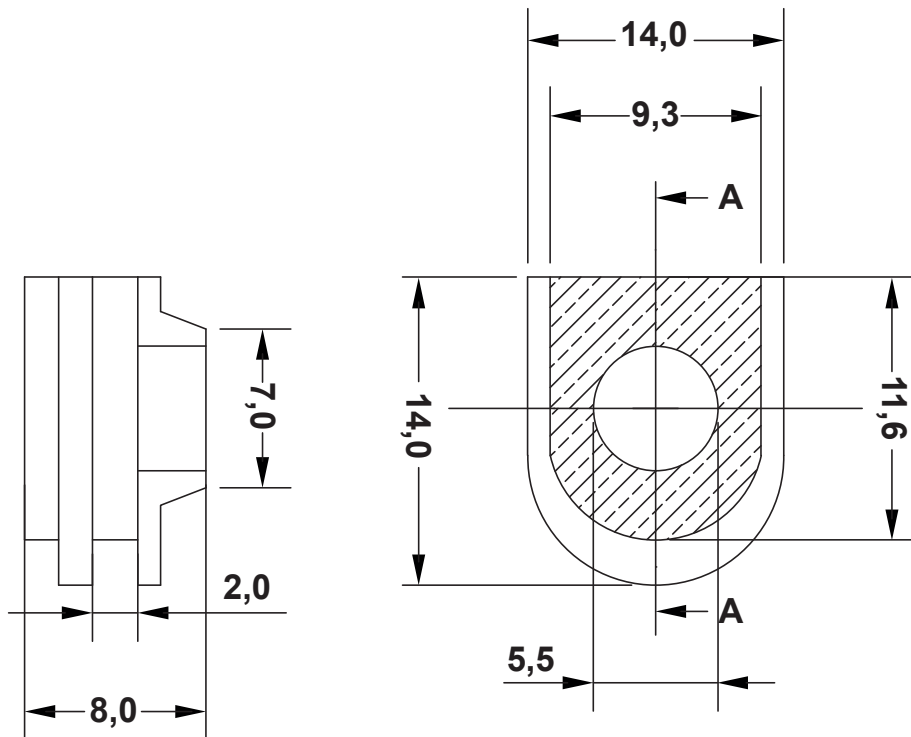


DIM.	TOL.
5mm DOWN	±0.2
5~20mm	±0.3
20~40mm	±0.4
40~60mm	±0.5
60 100mm	±0.8
100mm UP	±1.0

REVISIONS			
REV	DESCRIPTION	DATE	BY



TITLE SOFT BORDER GROMMETS		MATERIAL PVC HB(UL94)		DATE 22/11/2021	
		COLOR BLACK		DRAWN R.F.	
		PART NUMBER 10947CA01		DRAWING NUMBER 21.11.22.10947.0.E	
SIZE A4	SCALE NTS	UNIT mm	REV A	UNLESS OTHERWISE SPECIFIED TOLERANCE SEE ABOVE	
APPROVED (blank)					