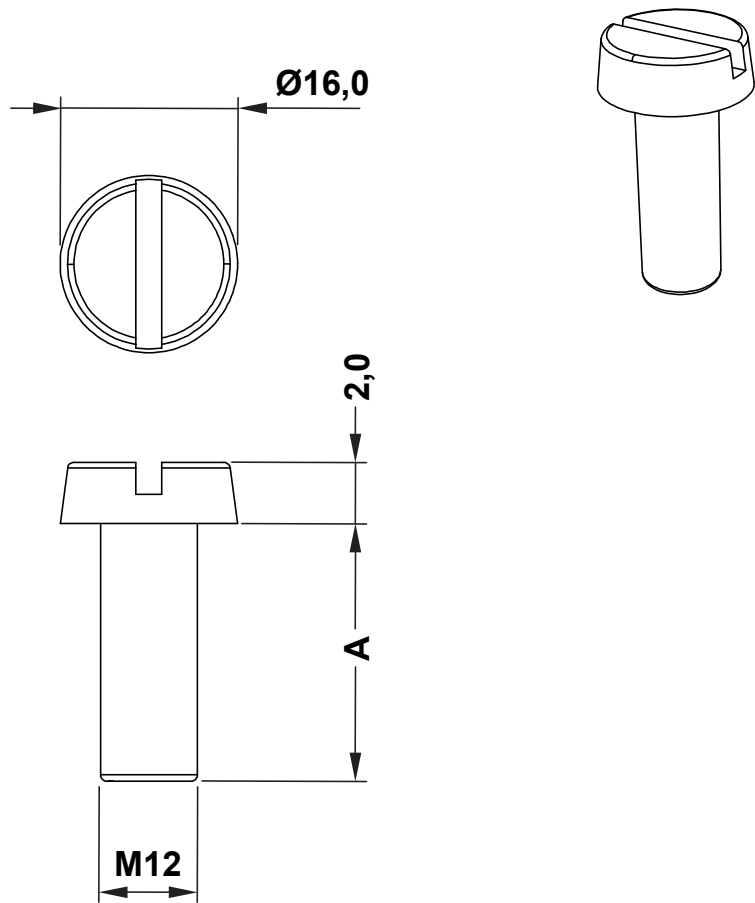



DIM.	TOL.
5mm DOWN	±0.2
5~20mm	±0.3
20~40mm	±0.4
40~60mm	±0.5
60~100mm	±0.8
100mm UP	±1.0

REVISIONS			
REV	DESCRIPTION	DATE	BY



P/N	A
10308AA0009.0	9.0
10308AA0010.0	10.0
10308AA0012.0	12.0
10308AA0015.0	15.0
10308AA0020.0	20.0
10308AA0025.0	25.0

P/N	A
10308AA0030.0	30.0
10308AA0035.0	35.0
10308AA0040.0	40.0
10308AA0045.0	45.0

		TITLE PAN HEAD SCREW WITH SLIT DIN EN ISO 1207 (EX DIN 84)	
		MATERIAL PA 6	DATE 04/03/2021
PART NUMBER SEE TABLE		DRAWING NUMBER 21.03.04.10308.0.E	
SIZE A4		SCALE NTS	
UNIT mm.		REV A	
COLOR NATURAL		CHECK	
UNLESS OTHERWISE SPECIFIED TOLERANCE SEE ABOVE		APPROVED	