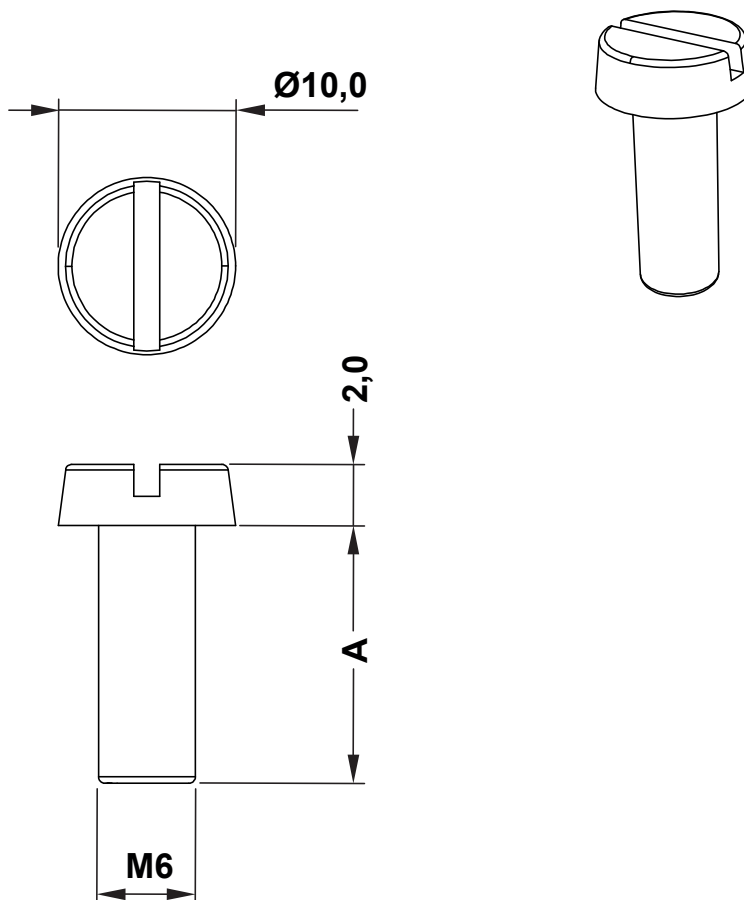



DIM.	TOL.
5mm DOWN	±0.2
5~20mm	±0.3
20~40mm	±0.4
40~60mm	±0.5
60~100mm	±0.8
100mm UP	±1.0

REVISIONS			
REV	DESCRIPTION	DATE	BY



P/N	A
10305AA0005.0	5.0
10305AA0006.0	6.0
10305AA0008.0	8.0
10305AA0010.0	10.0
10305AA0012.0	12.0
10305AA0015.0	15.0

P/N	A
10305AA0016.0	16.0
10305AA0020.0	20.0
10305AA0025.0	25.0
10305AA0030.0	30.0
10305AA0035.0	35.0

		TITLE PAN HEAD SCREW WITH SLIT DIN EN ISO 1207 (EX DIN 84)	
		MATERIAL PA 6	DATE 04/03/2021
PART NUMBER SEE TABLE		DRAWING NUMBER 21.03.04.10305.0.E	
DRAWN R.F.		COLOR NATURAL	CHECK
SIZE A4	SCALE NTS	UNIT mm.	REV A
UNLESS OTHERWISE SPECIFIED TOLERANCE SEE ABOVE		APPROVED	