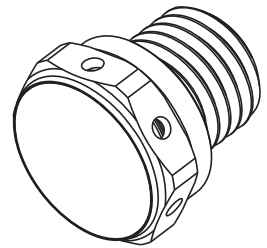
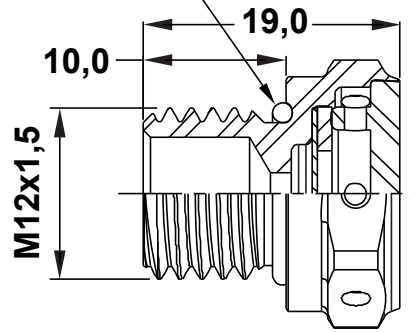
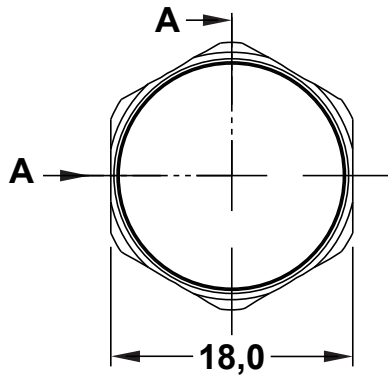


REVISIONS			
REV	DESCRIPTION	DATE	BY



**O-RING INCLUDED  
AND MOUNTED**



**SECTION A-A**

**MOUNTING HOLE Ø12,3**

P/N RAL 7035	P/N RAL 9005	AVERAGE AIR FLOW I/H	WATER INTRUSION
8257AA117035SL	8257AA019005SL	16	0,8 Bar
8257AA117035HL	8257AA019005HL	150	0,2 Bar
8257AA117035UHL	8257AA019005UHL	300	0,1 Bar

### Material

Cap & body : Polyamide PA6 V2


O-ring : NBR / EPDM

Vent Part : Acrylic Co-Polymer on Nylon Support (Hydrophobic-Oleophobic)

Connection thread : Metric (EN 60423)

Protection class : IP68

Temperature range : -20 °C +100 °C -30 +150 °C (short term)

				TITLE <b>PLASTIC VENTILATION PLUGS</b>	
				MATERIAL SEE ABOVE	DATE 13/05/2019
PART NUMBER SEE TABLE				DRAWN R.F.	
				DRAWING NUMBER 19.05.13.8257.0.E	
SIZE A4				CHECK	
				COLOR SEE ABOVE	
SCALE NTS				UNLESS OTHERWISE SPECIFIED TOLERANCE	
				APPROVED	
UNIT mm.				REV A	