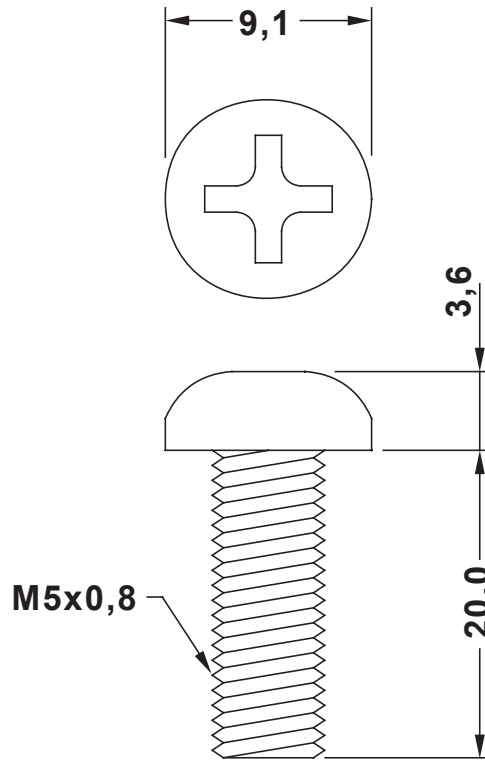



DIM.	TOL.
5mm DOWN	±0.2
5~20mm	±0.3
20~40mm	±0.4
40~60mm	±0.5
60~100mm	±0.8
100mm UP	±1.0

REVISIONS			
REV	DESCRIPTION	DATE	BY



**MATERIAL BY SPECIAL REQUEST: PC**

				TITLE <b>CROSS-SLOTTED SCREWS</b>	
				MATERIAL PA66 V2(UL94)	DATE 01/06/2020
PART NUMBER <b>6720AA00</b>				DRAWN R.F.	
				COLOR NATURAL	
DRAWING NUMBER 20.06.01.6720.0.E		UNLESS OTHERWISE SPECIFIED TOLERANCE SEE ABOVE		APPROVED	
SIZE A4	SCALE NTS	UNIT mm.	REV A		