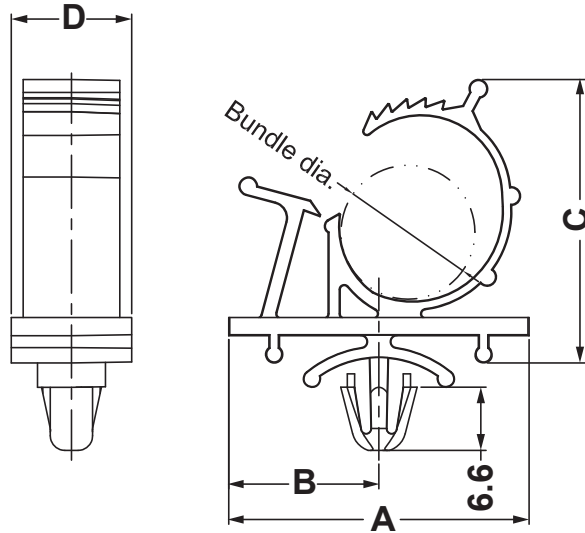


DIMENSION	TOLERANCE
$L \leq 4$	± 0.10
$4 < L \leq 15$	± 0.20
$15 < L \leq 50$	± 0.30
$50 < L \leq 100$	± 0.40

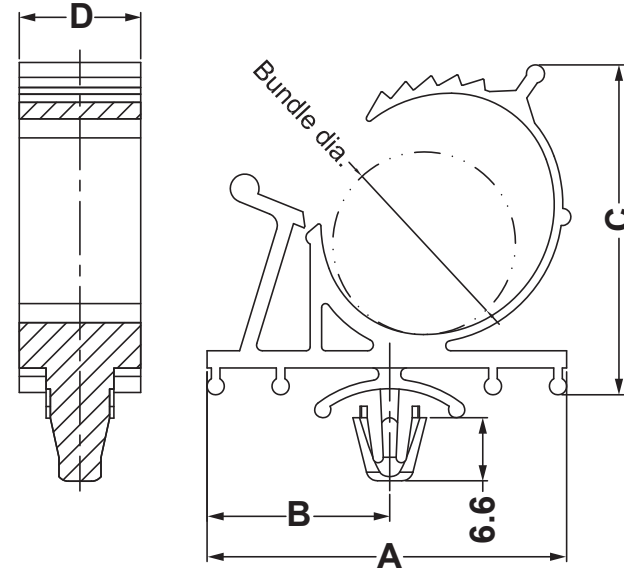
REVISIONS			
REV	DESCRIPTION	DATE	BY

Notes: RoHS Compliant

TYPE 1



TYPE 2



P/N	A	B	C	D	Hole	Thickness	Bundle Dia.	Material	Type	
15581AA00	31.4	15.7	29.6	12.6	$\varnothing 6.3 \pm 0.08$	0.8-1.5	$\varnothing 11.9-14.0$	PA66 UL94V2	1	
15581AR00								PA66 UL94V0		
15582AA00	37.6	19.1	34.5	12.7				$\varnothing 14.7-19.1$	PA66 UL94V2	2
15582AR00									PA66 UL94V0	

REV.	DESCRIPTION	DATE	TITLE: PLUG IN ADJUSTABLE CLIP	DWG UNIT: MM
	MATERIAL: SEE TABLE		Modelled in RHINO 4.0 FILE:	DwN: 06/10/21
	COLOUR: NATURAL		TOLLERANCES UNLESS NOTED	ChkD:
			SEE ABOVE	DT: 21.10.06.1558X.0.E. Part Number: SEE TABLE
			SCALE: NTS	

