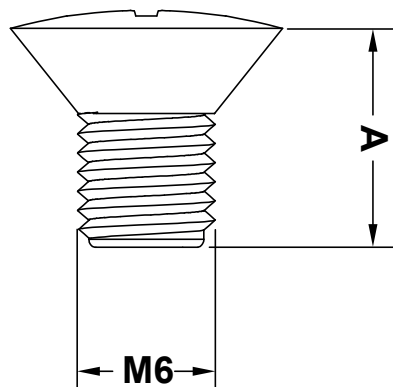
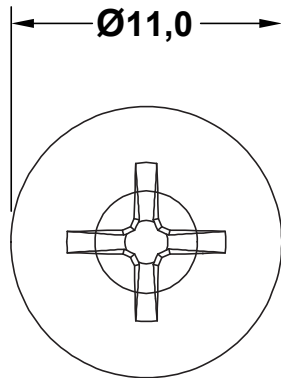
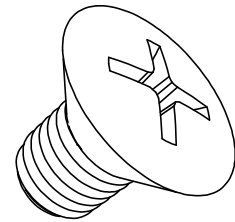


REVISIONS			
REV	DESCRIPTION	DATE	BY



P/N	A
10381AA0008.0	8.0
10381AA0010.0	10.0
10381AA0012.0	12.0
10381AA0015.0	15.0
10381AA0020.0	20.0
10381AA0022.0	22.0
10381AA0025.0	25.0
10381AA0030.0	30.0
10381AA0035.0	35.0
10381AA0040.0	40.0
10381AA0045.0	45.0

DIN EN ISO 966



TITLE
CROSS RECESSED COUNTERSUNK HEAD SCREWS

MATERIAL PA 6 V2(UL94)	DATE 09/05/2019
---------------------------	--------------------

	DRAWN R.F.
--	---------------

COLOR NATURAL	CHECK
------------------	-------

PART NUMBER SEE TABLE	DRAWING NUMBER 19.05.09.10381.0.E
--------------------------	--------------------------------------

SIZE A4	SCALE NTS	UNIT mm.	REV A
------------	--------------	-------------	----------

UNLESS OTHERWISE SPECIFIED TOLERANCE	APPROVED
---	----------