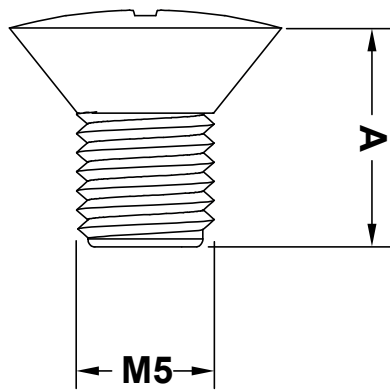
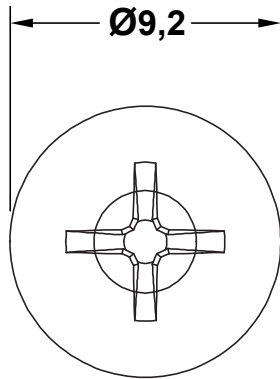
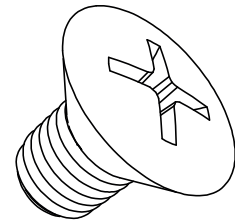


REVISIONS			
REV	DESCRIPTION	DATE	BY



P/N	A
10380AA0007.0	7,0
10380AA0008.0	8.0
10380AA0010.0	10.0
10380AA0012.0	12.0
10380AA0014.0	14.0
10380AA0016.0	16.0
10380AA0018.0	18.0
10380AA0020.0	20.0
10380AA0022.0	22.0
10380AA0025.0	25.0
10380AA0030.0	30.0
10380AA0035.0	35.0
10380AA0040.0	40.0

DIN EN ISO 966



TITLE
CROSS RECESSED COUNTERSUNK HEAD SCREWS

MATERIAL PA 6 V2(UL94) **DATE** 09/05/2019

DRAWN R.F.

COLOR NATURAL **CHECK**

PART NUMBER SEE TABLE **DRAWING NUMBER** 19.05.09.10380.0.E

SIZE A4 **SCALE** NTS **UNIT** mm. **REV** A

UNLESS OTHERWISE SPECIFIED TOLERANCE **APPROVED**