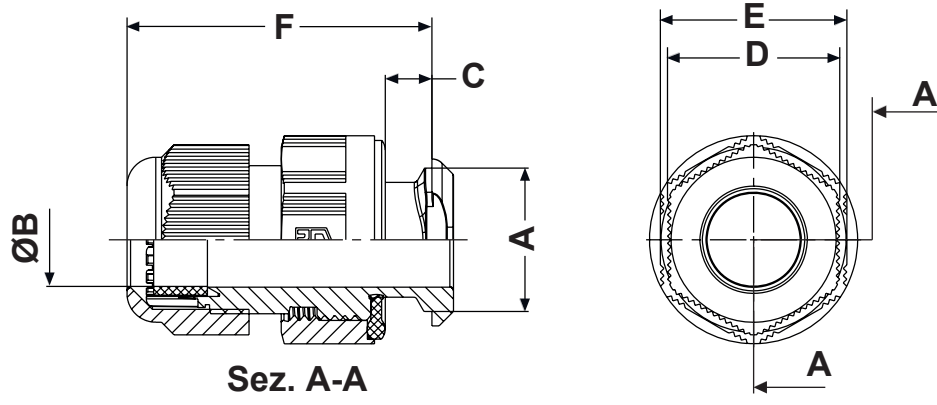



REVISIONS			
REV	DESCRIPTION	DATE	BY



P/N RAL 7001	P/N RAL 7035	P/N RAL 9005	SIZE	A	B	C	D	E	F
8821AA117001	8821AA117035	8821AA019005	M16	16,1-16,3	5-10	1,0-4,0	20,0	24,0	38,5
8822AA117001	8822AA117035	8822AA019005	M20	20,1-20,4	8-13	1,0-4,0	24,0	26,0	42,5
8823AA117001	8823AA117035	8823AA019005	M25	25,1-25,4	11-17	1,0-4,0	29,0	32,0	48,0
8836AA117001	8836AA117035	8836AA019005	M32	32,1-32,4	15-21	1,0-4,0	36,0	42,0	58,5

Material Dome nut: PA 6
 Material Sealing ring: Polychloroprene - Nitrile CR/NBR.
 Material gland body: PA 6
 Material mounting nut: PA 6 GF30%
 Material O-Ring: NBR/PTFE
 Colour: See table
 Operating temperature: -20°C ~ +100° C

Flammability:
 - PA 6: V2 (UL94)
 - CR/NBR: HB (UL94)
 - CR/PTFE: HB (UL94)
 Protection grade: IP68
 Metric according EN 60423
 All dimensions are in mm

				TITLE PERFECT FIX CABLE GLANDS	
				MATERIAL SEE TABLE	
PART NUMBER SEE TABLE				DRAWING NUMBER 21.09.02.XXXX.0.E	
				DRAWN R.F.	
SIZE A4				COLOR SEE TABLE	
SCALE NTS		UNIT mm.		REV A	
UNLESS OTHERWISE SPECIFIED TOLERANCE SEE ABOVE				APPROVED	