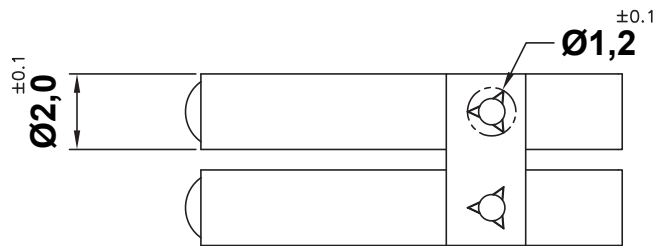
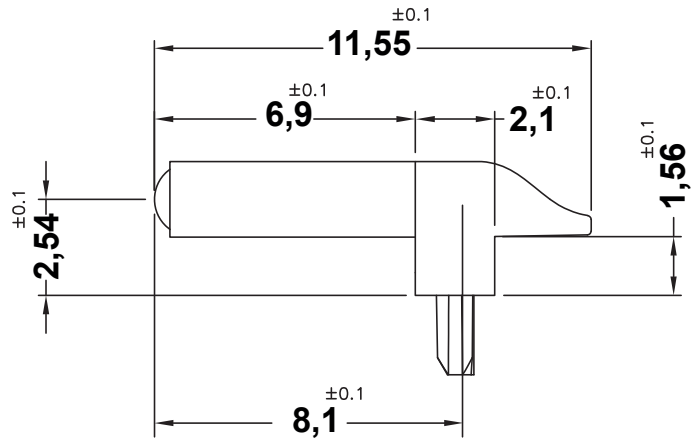
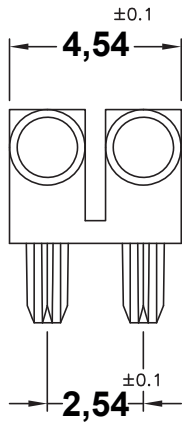


REVISIONS			
REV	DESCRIPTION	DATE	BY



TITLE LIGHT PIPE		MATERIAL PC		DATE 29/04/2021	
		COLOR TRANSPARENT		DRAWN R.F.	
PART NUMBER 15578NA00		DRAWING NUMBER 21.04.29.15578.0.E		CHECK (blank)	
SIZE A4	SCALE 5:1	UNIT mm.	REV A	UNLESS OTHERWISE SPECIFIED TOLERANCE SEE ABOVE	
				APPROVED (blank)	