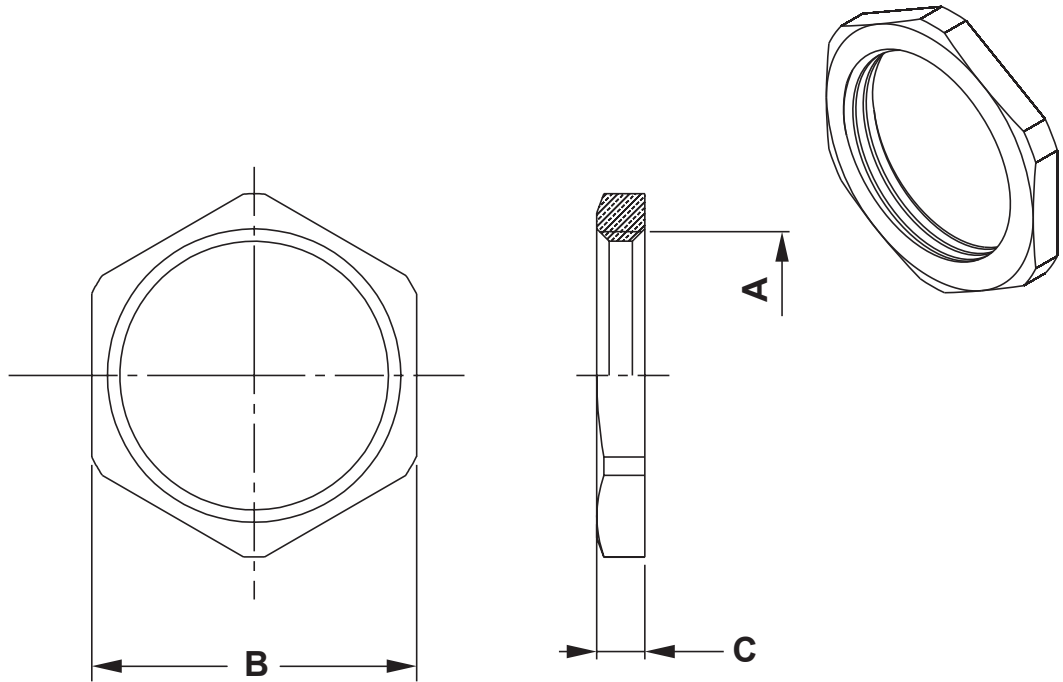



REVISIONS			
REV	DESCRIPTION	DATE	BY



P/N	A	B	C
15191MA92	PG 7	15,0	2,9
15192MA92	PG 9	18,0	2,9
15193MA92	PG 11	21,0	3,1
15194MA92	PG 13	23,0	3,1
15195MA92	PG 16	26,0	3,1
15196MA92	PG 21	32,0	3,6
15197MA92	PG 29	41,0	4,1
15198MA92	PG 36	51,0	5,1
15199MA92	PG 42	60,0	5,1
15200MA92	PG 48	64,0	5,6

				TITLE PG THREAD HEXAGONAL LOCKNUTS	
				MATERIAL BRASS Cu Zn 39 Pb 2 / 40 Pb 3	
PART NUMBER SEE TABLE				DRAWN R.F.	
				DRAWING NUMBER 21.03.01.15XXX.0.E	
SIZE A4		SCALE NTS		CHECK	
UNIT mm.		REV A		APPROVED	
UNLESS OTHERWISE SPECIFIED TOLERANCE					