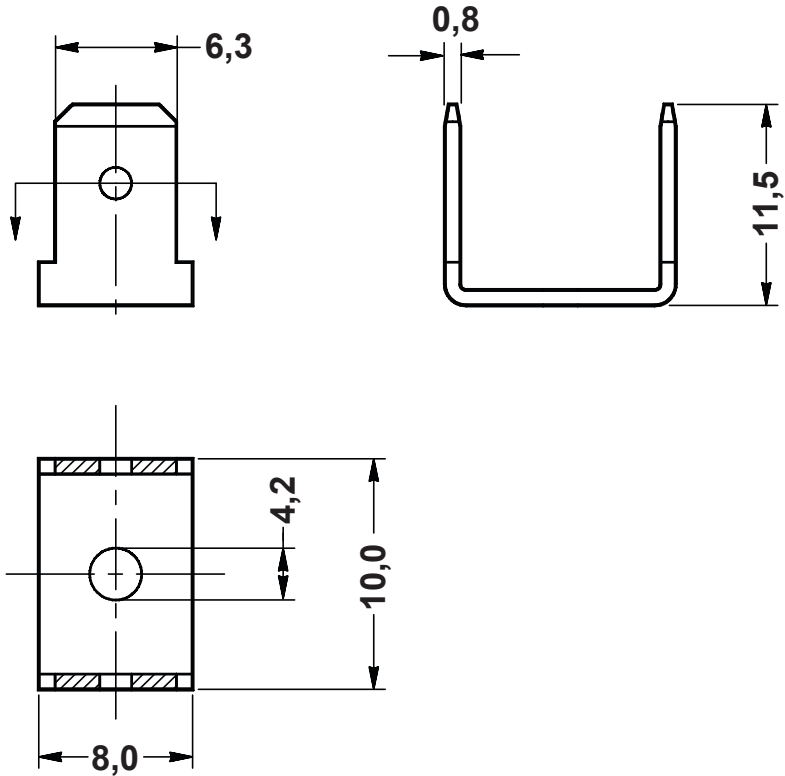


REVISIONS			
REV	DESCRIPTION	DATE	BY



TITLE
TABS WITH HOLE

MATERIAL
TIN-PLATED BRASS

DATE
22/09/2021

DRAWN
R.F.

PART NUMBER
1323MA91

DRAWING NUMBER
21.09.22.1323.0.E

COLOR

CHECK

SIZE
A4

SCALE
NTS

UNIT
mm.

REV
A

UNLESS OTHERWISE SPECIFIED
TOLERANCE
±0,2

APPROVED