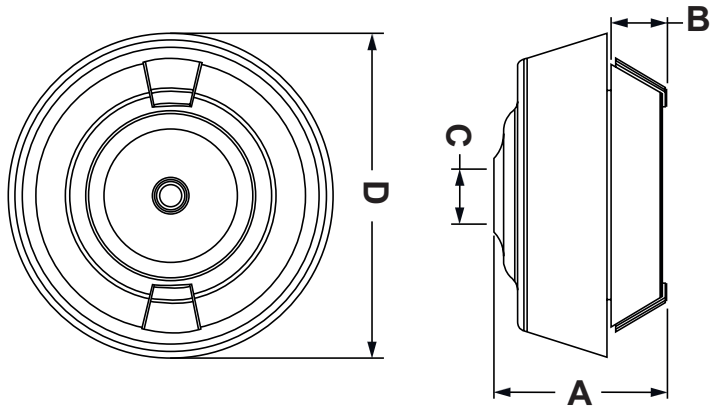


REVISIONS			
REV	DESCRIPTION	DATE	BY



Material: TPE assembled with PA 6.6

Colour: see table

Working temperature: -20°C ~ +125°C

SEMKO conformity

Protection grade: IP67 - IP65 (see Ø tube below)

All dimensions are in mm

P/N RAL 7035	P/N RAL 9005	P/N RAL 9010	Size	Ø TUBE		Hole	Thickness	A	B	C	D***
				IP67 Anchorage type A*	IP65						
9000PF117035	9000PF019005	9000PF02 9010	M20	Ø 7,0 - 11,0	Ø 4,0 - 11,0	20,5	0,5 - 3,0	17,0 - 20,0	5,5	4,0	34,2 - 37,2
9001PF117035	9001PF019005	9001PF02 9010	M25	Ø 7,0 - 13,0**	Ø 4,0 - 13,0	25,5	0,9 - 3,0	17,0 - 20,0	5,5	5,0	39,2 - 42,2
9002PF117035	9002PF019005	9002PF02 9010	M20	Ø 7,0 - 11,0	Ø 4,0 - 11,0	20,5	2,0 - 5,0	17,0 - 20,0	5,5	4,0	29,3 - 34,5
9003PF117035	9003PF019005	9003PF02 9010	M25	Ø 7,0 - 13,0**	Ø 4,0 - 13,0	25,5	2,0 - 5,0	17,0 - 20,0	5,5	5,0	34,3 - 40,0

Test standards: EN60529:1991+A1, EN50262:1998, EMKO-TUI (O3-SEC) FI001/84

* Cable anchorage Type A according to EN 50262

** 8,1 - 8,9 mm. only approved for tension relief

*** Varies depending on the thickness of material installed in.

	DESCRIPTION		TITLE: SNAP-FIT PROTECTION GROMMETS IP67 - IP65		DWG UNIT: MM
MATERIAL: SEE ABOVE			Modelled in RHINO 4.0	FILE:	DwN: 25/08/21
COLOUR: SEE TABLE			TOLLERANCES UNLESS NOTED	SHEET: 1 OF 1	ChkD: DT:21.08.25.XXXXX.0.E
			SEE ABOVE	SCALE: NTS	Part Number: SEE TABLE
REV.		DATE			