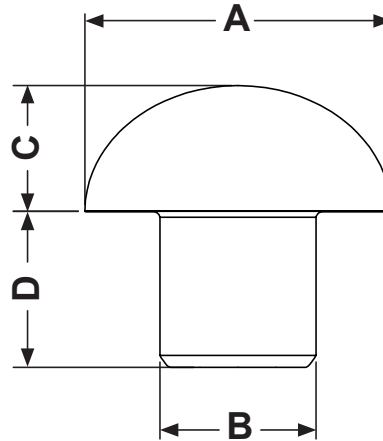



DIM.	TOL.
5mm DOWN	±0.2
5~20mm	±0.3
20~40mm	±0.4
40~60mm	±0.5
60~100mm	±0.8
100mm UP	±1.0

REVISIONS			
REV	DESCRIPTION	DATE	BY



P/N	A	B	C	D	MATERIAL
0420CA01	9,0	5,0	3,0	6,0	Soft PVC
0420EA01	9,0	5,0	3,0	6,0	PE-LD
0422CA01	14,0	6,0	6,5	15,0	Soft PVC
0422EA01	14,0	6,0	6,5	15,0	PE-LD
5151CA01	16,0	10,0	6,0	10,0	Soft PVC

		TITLE FEETS AND PUSH-IN BUMPERS	
		MATERIAL SEE TABLE	DATE 24/08/2021
PART NUMBER SEE TABLE		DRAWING NUMBER 21.08.24.XXXX.0.E	
DRAWING NUMBER 21.08.24.XXXX.0.E		COLOR BLACK	CHECK
SIZE A4	SCALE NTS	UNIT mm.	REV A
UNLESS OTHERWISE SPECIFIED TOLERANCE SEE ABOVE		APPROVED	