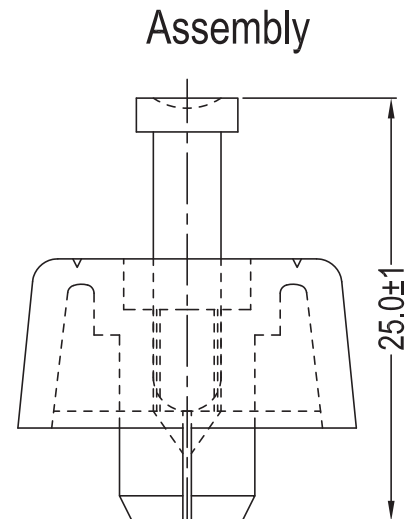
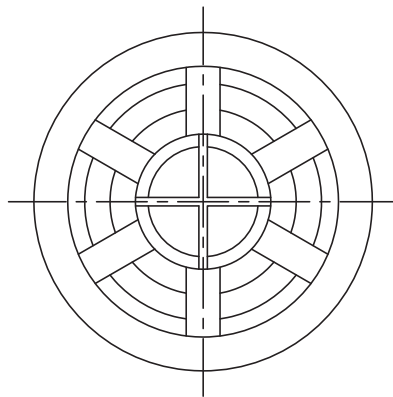
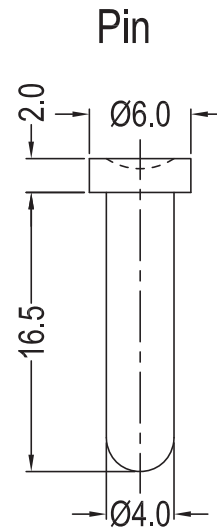
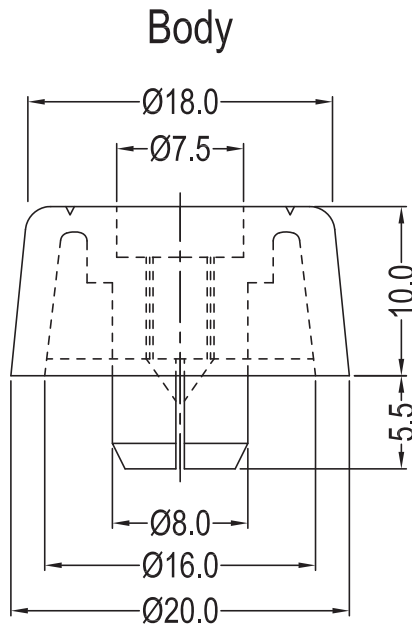


DIMENSION	TOLERANCE
$L \leq 4$	± 0.10
$4 < L \leq 15$	± 0.20
$15 < L \leq 50$	± 0.30
$50 < L \leq 100$	± 0.40

REVISIONS			
REV	DESCRIPTION	DATE	BY



NOTES:


MOUNTING HOLE $\text{Ø} 8,0 - 8,1$

PANEL THICKNESS $0,8 - 1,5$

MATERIAL BODY: TPV HB(UL94)

MATERIAL PIN: PP HB(UL94)

RoHS COMPLIANT

				TITLE SOFT FAST FOOT	
				MATERIAL SEE ABOVE	
PART NUMBER 9813EA01				DRAWING NUMBER 21.05.12.9813.0.E	
DRAWN R.F.				CHECK	
COLOR BLACK				UNLESS OTHERWISE SPECIFIED TOLERANCE SEE ABOVE	
SIZE A4	SCALE NTS	UNIT mm.	REV A	APPROVED	