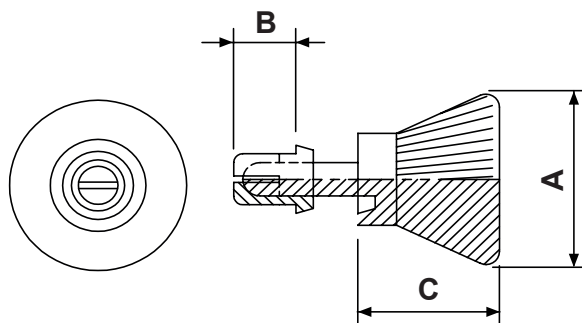



DIM.	TOL.
5mm DOWN	±0.2
5~20mm	±0.3
20~40mm	±0.4
40~60mm	±0.5
60~100mm	±0.8
100mm UP	±1.0

REVISIONS			
REV	DESCRIPTION	DATE	BY



P/N	A	B	C	Hole	Thickness
9758AA01	10,0	3,5	8,0	Ø 3,1	1,0 - 2,0
9759AA01	10,0	4,5	8,0	Ø 3,1	2,0 - 3,0
9760AA01	10,0	5,5	8,0	Ø 3,1	3,0 - 4,0
9761AA01	10,0	6,5	8,0	Ø 3,1	4,0 - 5,0
9762AA01	10,0	7,5	8,0	Ø 3,1	5,0 - 6,0
9763AA01	10,0	8,0	8,0	Ø 3,1	5,5 - 6,5
9764AA01	10,0	3,5	8,0	Ø 3,6	1,0 - 2,0
9765AA01	10,0	4,5	8,0	Ø 3,6	2,0 - 3,0
9766AA01	10,0	5,5	8,0	Ø 3,6	3,0 - 3,7
9767AA01	10,0	6,0	8,0	Ø 3,6	3,5 - 4,5
9768AA01	10,0	7,0	8,0	Ø 3,6	3,8 - 5,2
9769AA01	10,0	8,0	8,0	Ø 3,6	5,3 - 6,5
9780AA01	12,0	5,0	8,0	Ø 4,1	2,5 - 3,5
9781AA01	12,0	6,0	8,0	Ø 4,1	3,5 - 4,5
9782AA01	12,0	7,0	8,0	Ø 4,1	4,5 - 5,5
9783AA01	12,0	8,0	8,0	Ø 4,1	5,5 - 6,5
9784AA01	12,0	9,0	8,0	Ø 4,1	6,5 - 7,5
9785AA01	12,0	10,0	8,0	Ø 4,1	7,5 - 8,5

		TITLE SNAP RIVETS WITH KNOP RELEASABLE	
		MATERIAL PA6 V2(UL94)	DATE 30/07/2021
PART NUMBER SEE TABLE		DRAWING NUMBER 21.07.30.97XX.0.E	
DRAWN R.F.		COLOR BLACK	CHECK
SIZE A4	SCALE NTS	UNIT mm.	REV A
UNLESS OTHERWISE SPECIFIED TOLERANCE SEE ABOVE		APPROVED	