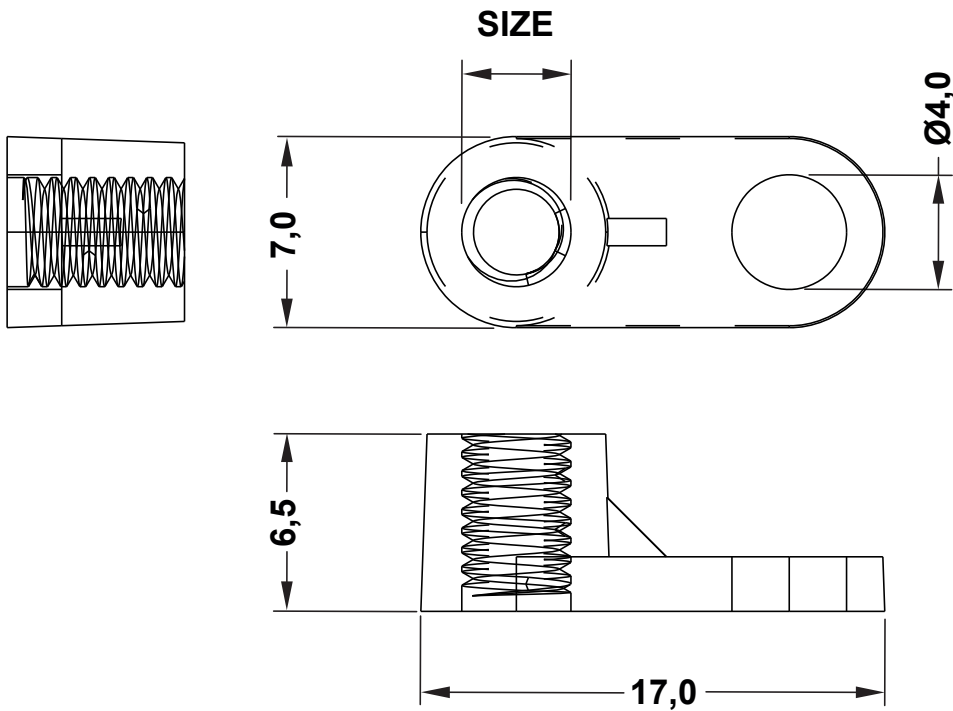
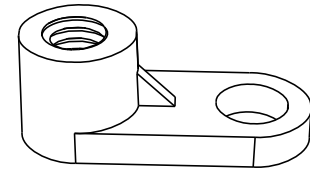



DIM.	TOL.
5mm DOWN	±0.2
5~20mm	±0.3
20~40mm	±0.4
40~60mm	±0.5
60~100mm	±0.8
100mm UP	±1.0

REVISIONS			
REV	DESCRIPTION	DATE	BY



P/N	SIZE
3059BB00	M3x0,5
1233BB00	M4x0,7

		TITLE <b>P.C.B. SUPPORT SPACERS</b>	
		MATERIAL PA66 25% GF V2(UL94)	DATE 27/07/2021
PART NUMBER SEE TABLE		DRAWN R.F.	
DRAWING NUMBER 21.07.27.XXXX.0.E		CHECK	
SIZE A4	SCALE NTS	COLOR NATURAL	APPROVED
UNIT mm.	REV A	UNLESS OTHERWISE SPECIFIED TOLERANCE SEE ABOVE	