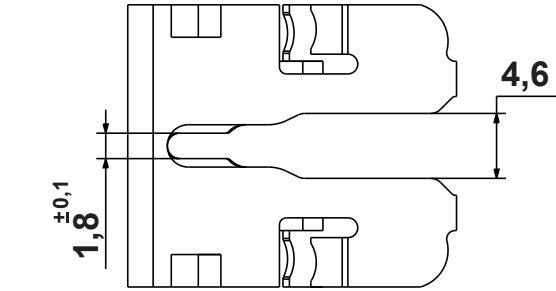
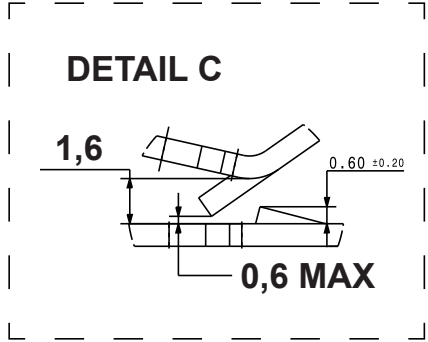
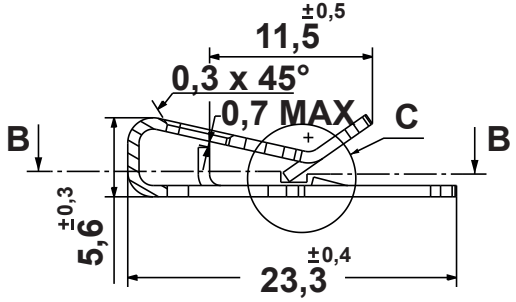
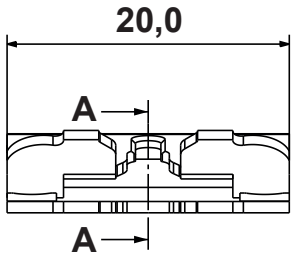
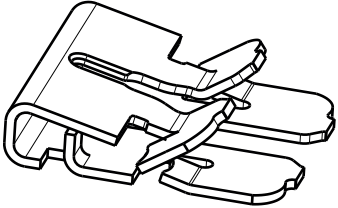


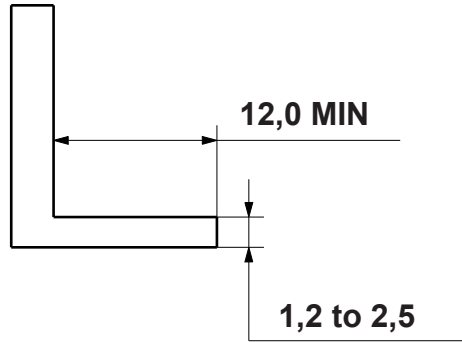
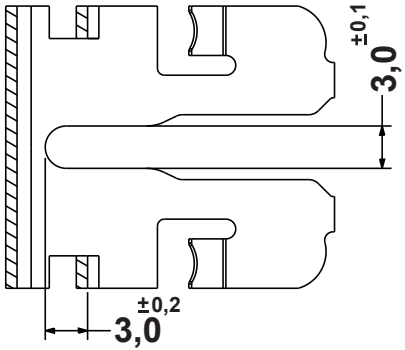
REVISIONS			
REV	DESCRIPTION	DATE	BY



ISOMETRIC VIEW



USE CONDITIONS
CABLE 6,0 mm² multibrin



REV.	DESCRIPTION	DATE	TITLE: GROUND TABS	DWG UNIT: MM
	MATERIAL: C67S STEEL		Modelled in RHINO 4.0	
	FINISH: C67S CR		FILE:	DwN: 19/05/21
			TOLLERANCES UNLESS NOTED	ChkD:
				DT: 21.05.19.15667.0.E
			SHEET: 1 OF 1	Part Number: 15667MC94
			SCALE: NTS	
			± 0.5 / ± 5°	

