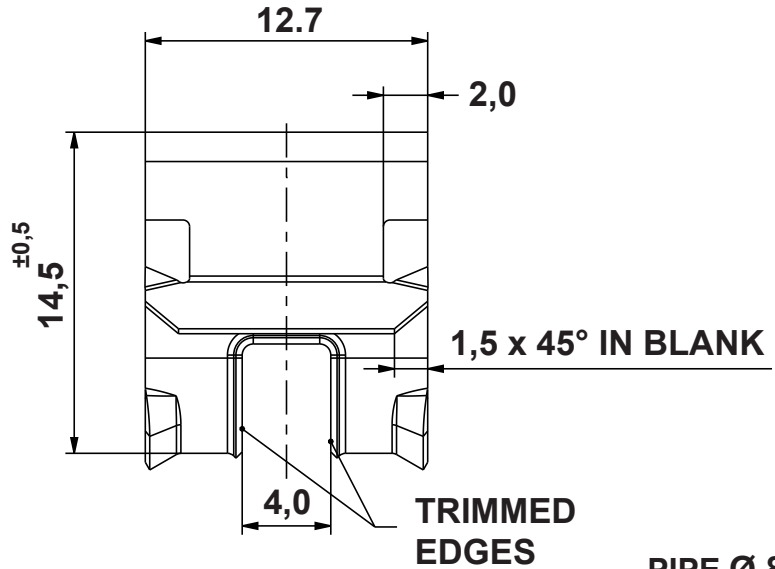
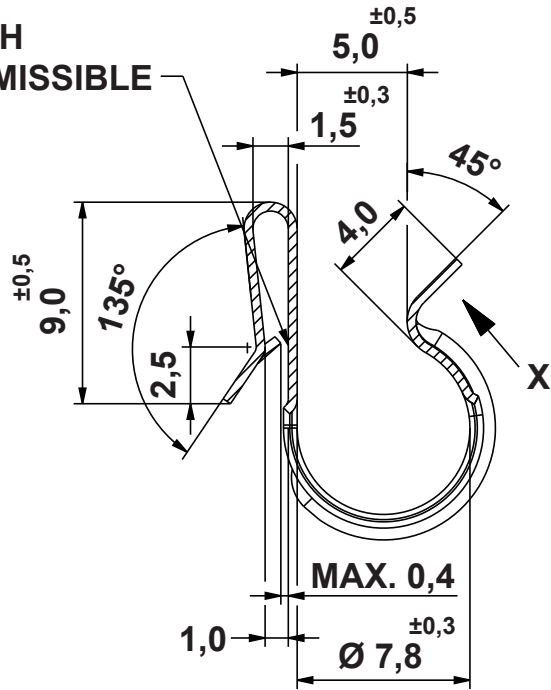


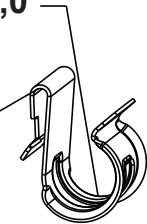
REVISIONS			
REV	DESCRIPTION	DATE	BY

**SURFACE FINISH
BRIDGING PERMISSIBLE**

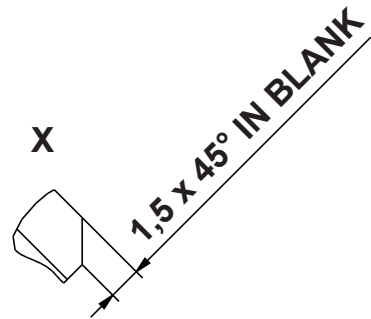


PIPE Ø 8,0 - 9,0

THICKNESS 0,7 - 1,4



ISOMETRIC VIEW



DESCRIPTION		TITLE: CABLE CLIP		DWG UNIT: MM	
MATERIAL: C67S DIN EN 10132-4		Modelled in RHINO 4.0		FILE:	
FINISH: ZINC PLATED		TOLLERANCES UNLESS NOTED		DwN: 28/06/21	
		SHEET: 1 OF 1		ChkD:	
		SCALE: NTS		DT: 21.06.28.15617.0.E Part Number: 15617MC94	
REV.		DATE			

