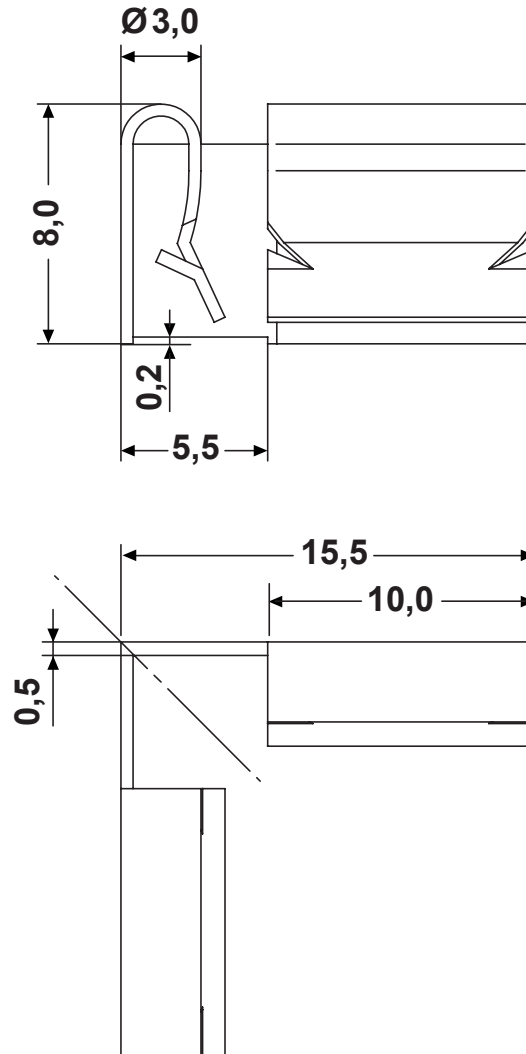



REVISIONS			
REV	DESCRIPTION	DATE	BY



				TITLE ANGULAR DOUBLE CLIP	
				MATERIAL HARDENED STEEL	
PART NUMBER 12006MC92				DRAWING NUMBER 21.07.15.12006.0.E	
COLOR NICKEL PLATED				CHECK	
SIZE A4		SCALE NTS		UNLESS OTHERWISE SPECIFIED TOLERANCE SEE ABOVE	
UNIT mm.		REV A		APPROVED	