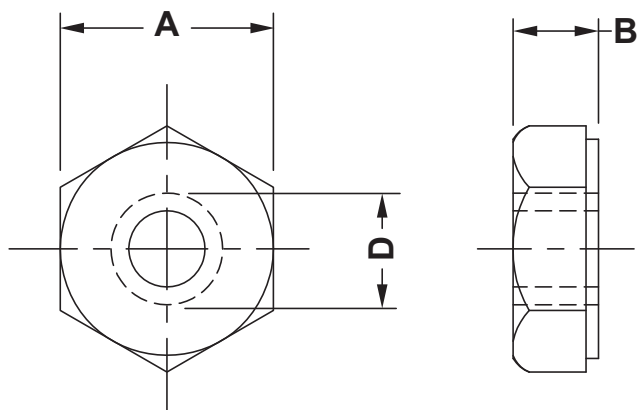


DIM.	TOL.
5mm DOWN	±0.2
5~20mm	±0.3
20~40mm	±0.4
40~60mm	±0.5
60~100mm	±0.8
100mm UP	±1.0

REVISIONS			
REV	DESCRIPTION	DATE	BY



P/N	A	B	D
1049BB00	5,5	3,3	M3x0,5
1050BB00	7,0	4,2	M4x0,7
1051BB00	8,0	5,2	M5x0,8
1052BB00	10,0	6,0	M6x1,0
1053BB00	13,0	8,3	M8x1,25
1054BB00	17,0	10,0	M10x1,5



TITLE  
**HEXAGONAL PLASTIC NUTS**

MATERIAL  
PA 6.6 25% GF HB (UL94)

DATE  
27/07/2021

DRAWN  
R.F.

PART NUMBER  
SEE TABLE

DRAWING NUMBER  
21.07.27.10XX.0.E

COLOR  
NATURAL

CHECK

SIZE  
A4

SCALE  
NTS

UNIT  
mm.

REV  
A

UNLESS OTHERWISE SPECIFIED  
TOLERANCE SEE ABOVE

APPROVED