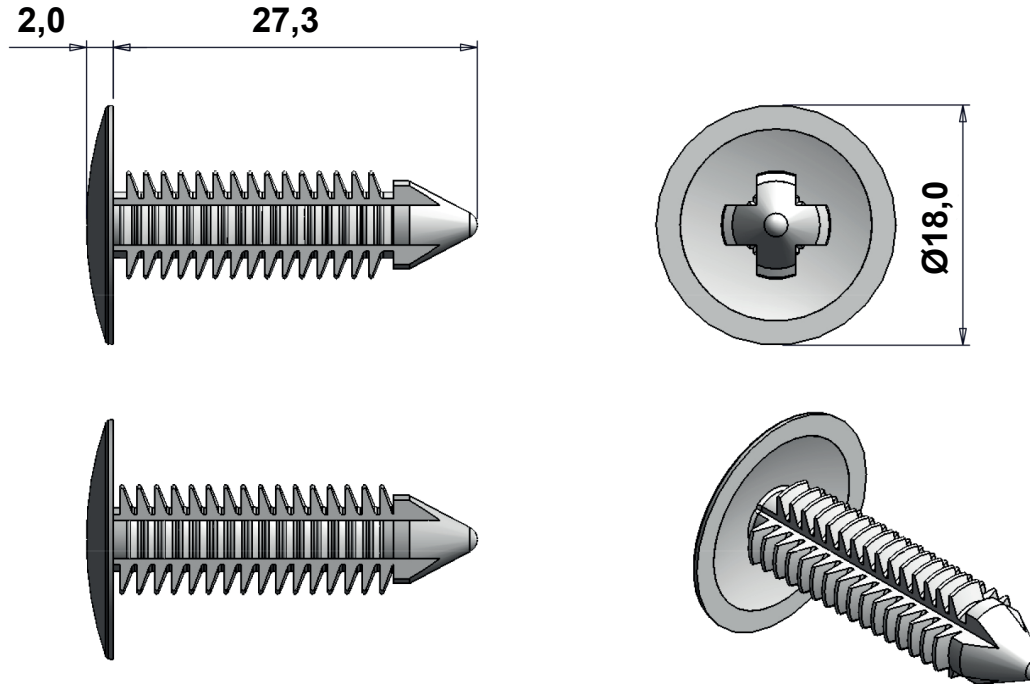


DIM.	TOL.
5mm DOWN	±0.2
5~20mm	±0.3
20~40mm	±0.4
40~60mm	±0.5
60~100mm	±0.8
100mm UP	±1.0

REVISIONS			
REV	DESCRIPTION	DATE	BY

NOTES:
COMPONENT IS ROHS COMPLIANT



MOUNTING HOLE Ø7,0
PANEL RANGE: 0,7 - 20,0

	DESCRIPTION		TITLE: PINE TREE CLIP	DWG UNIT: MM
	MATERIAL: PA 66		<i>Modelled in RHINO 4.0</i> FILE:	DwN: 23/06/21
	COLOUR: BLACK		TOLLERANCES UNLESS NOTED	ChkD:
			SEE ABOVE	DT: 21.06.23.8222.0.E. Part Number: 8222AA01
REV.		DATE		

