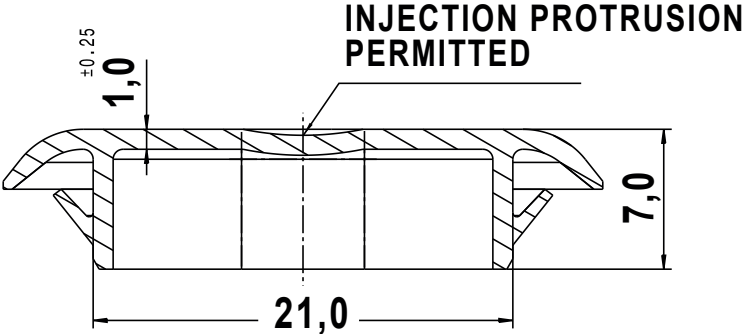
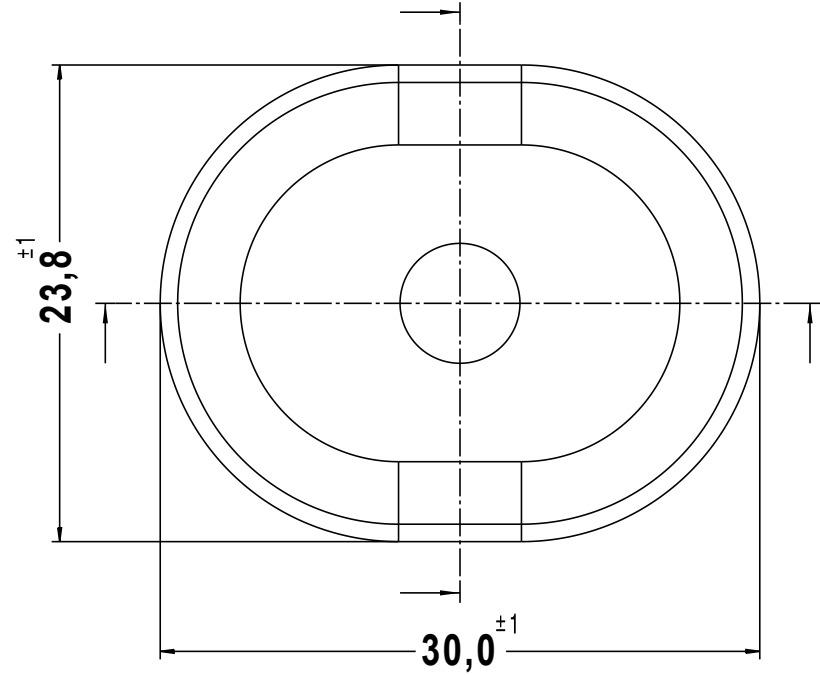
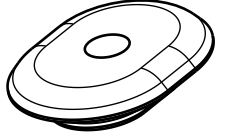


REVISIONS			
REV	DESCRIPTION	DATE	BY

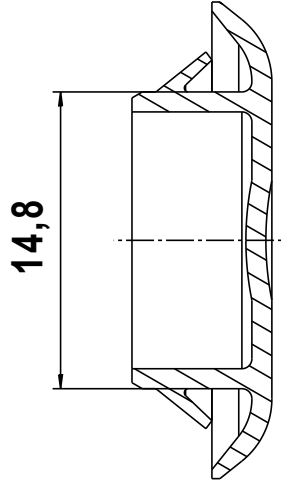



MEASURED AT FASTENING POINT

ISOMETRIC VIEWS
Scale 1:1



MEASURED AT FASTENING POINT



HOLE: 16,0 x 22,0 

THICKNESS 0,7 - 0,9

DESCRIPTION		TITLE: HOLE PLUG		DWG UNIT: MM	
MATERIAL: TPE 55 SHORE		Modelled in RHINO 4.0		FILE:	
COLOUR: BLACK		TOLLERANCES UNLESS NOTED		DwN: 19/05/21	
		SHEET: 1 OF 1		ChkD:	
		SCALE: NTS		DT: 21.05.19.15664.0.E Part Number: 15664EA01	
		DIN ISO 2768-c			
REV.		DATE		