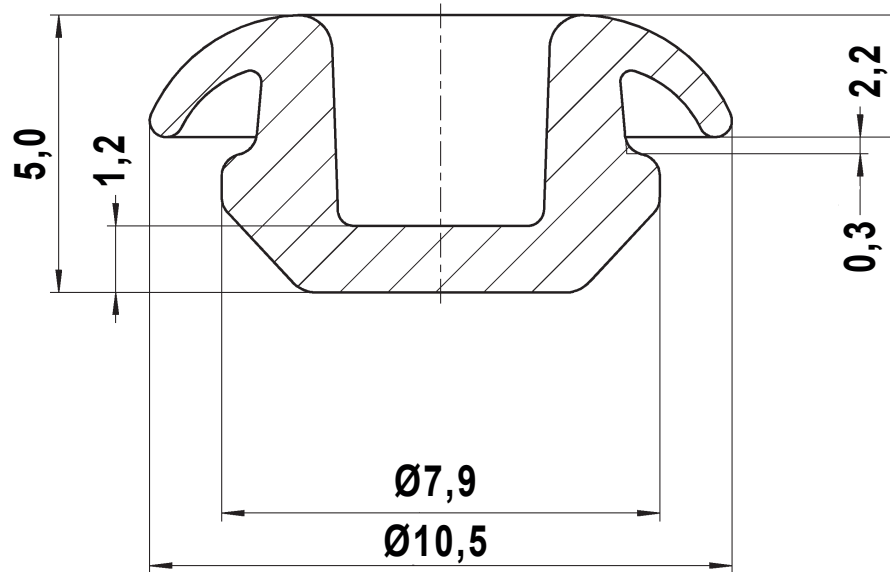
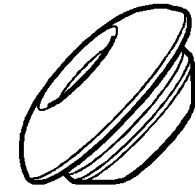


>400 ≤ 1000	±2
>120 ≤ 400	±1,5
> 30 ≤ 120	±1
> 6 ≤ 30	±0,5
≤ 6	±0,25
ANGLE	±3°

REVISIONS			
REV	DESCRIPTION	DATE	BY

ISOMETRIC VIEW



HOLE: Ø6,5^{+0,2}
THICKNESS: 0,6

	DESCRIPTION		TITLE: HOLE PLUG Ø6,5		DWG UNIT: MM
	MATERIAL: TPE		Modelled in RHINO 4.0	FILE:	DwN: 19/05/21
	COLOUR: BLACK		TOLLERANCES UNLESS NOTED	SHEET: 1 OF 1	ChkD: DT: 21.05.19.15662.0.E
			SEE ABOVE	SCALE: NTS	Part Number: 15662EA01
REV.		DATE			

