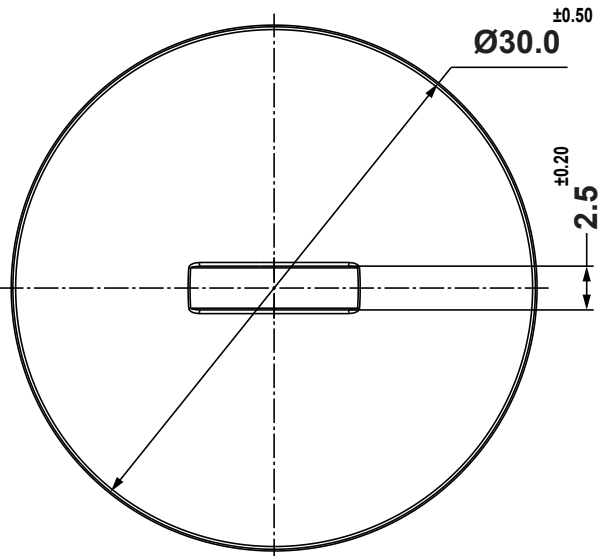
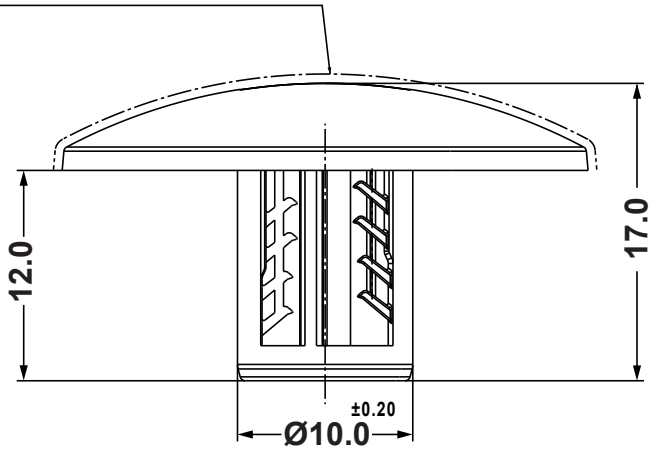


REVISIONS			
REV	DESCRIPTION	DATE	BY

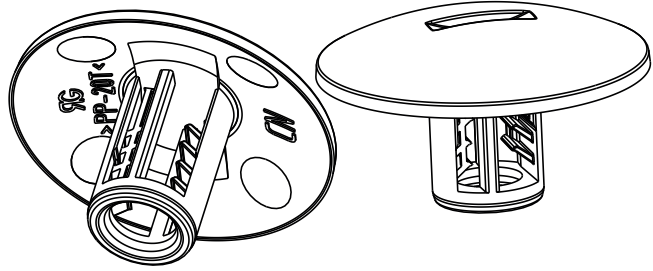
**CHARMILLE 27 GRAINING**



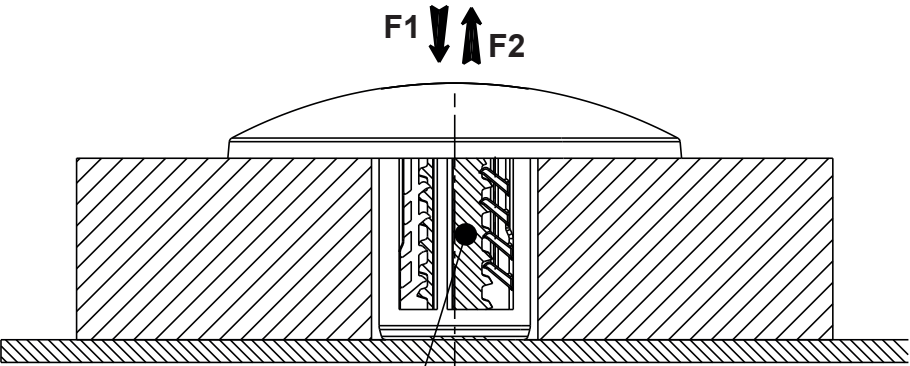
**GENERAL TOLERANCES:**

- \* ISO 8015
- \* ISO 2768-2-K
- \* NFT 58000

**ISOMETRIC VIEW**



**USE CONDITION SCALE 2:1**



**STUD: Ø5x14.00mm**  
**SCREW: M6x14.00mm**

DESCRIPTION		TITLE: <b>FASTENING BUTTOM</b>		DWG UNIT: MM	
MATERIAL: PP-H M20 BK		Modelled in RHINO 4.0		FILE:	DwN: 16/06/21
COLOUR: BLACK		TOLLERANCES UNLESS NOTED		SHEET: 1 OF 1	ChkD:
		± 0.50 ± 5.00°		DT: 21.06.16.15650.0.E.	Part Number: 15650AA01
REV.	DATE	SCALE: NTS			