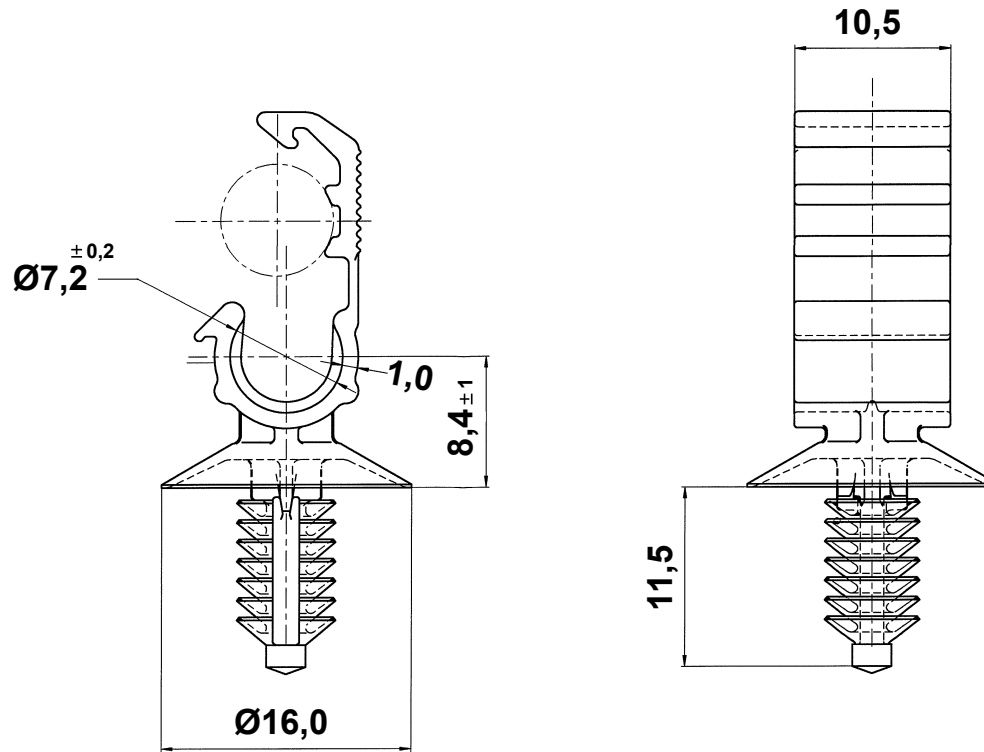



| DIM.     | TOL. |
|----------|------|
| 5mm DOWN | ±0.2 |
| 5~20mm   | ±0.3 |
| 20~40mm  | ±0.4 |
| 40~60mm  | ±0.5 |
| 60~100mm | ±0.8 |
| 100mm UP | ±1.0 |

| REVISIONS |             |      |    |
|-----------|-------------|------|----|
| REV       | DESCRIPTION | DATE | BY |
|           |             |      |    |
|           |             |      |    |



SIZE HOLE M6

| REV. | DESCRIPTION     | DATE | TITLE: RETAINER-CORRUGATED TUBE   | DWG UNIT: MM                                     |
|------|-----------------|------|---|--|
|      | MATERIAL: PA 66 |      | Modelled in RHINO 4.0   |  |
|      | COLOUR: BLACK   |      | FILE:   | DwN: 23/06/21                                    |
|      |                 |      | TOLLERANCES UNLESS NOTED  | ChkD:  |
|      |                 |      | ± 0.50 ± 2.00°  | DT: 21.06.23.15608.0.E.   Part Number: 15608AA01 |
|      |                 |      | SHEET: 1 OF 1   |  |
|      |                 |      | SCALE: NTS  |  |
|      |                 |      |  |  |