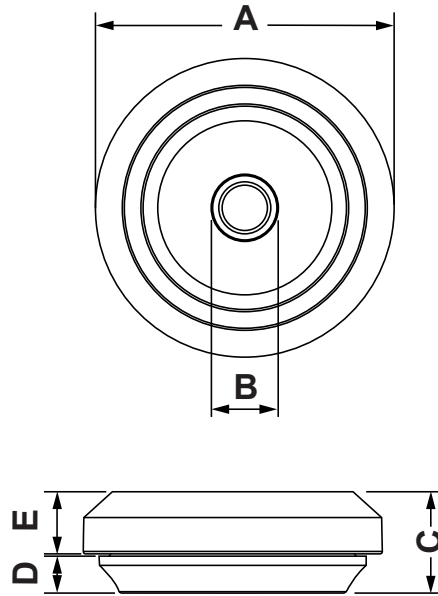



REVISIONS			
REV	DESCRIPTION	DATE	BY



P/N RAL 7035	P/N RAL 9005	P/N RAL 9010	Size	Ø Cable diameter	Hole	Thickness	A	B	C	D	E
9045PF117035	9045PF019005	9045PF029010	PG9/15,2	5 - 10	16,0	0,5 - 3	24,0	4,0	11,0	4,0	6,7
9046PF117035	9046PF019005	9046PF029010	PG11/18,6	6 - 12	19,0	0,5 - 3	26,0	5,0	11,0	4,0	6,7
9047PF117035	9047PF019005	9047PF029010	PG16/22,5	8 - 15	23,0	0,5 - 3,5	30,0	7,0	11,0	4,0	6,7
9048PF117035	9048PF019005	9048PF029010	PG21/28,3	10 - 20	29,0	0,5 - 4,5	36,0	9,0	11,0	4,0	6,7
9049PF117035	9049PF019005	9049PF029010	PG29/37,0	18 - 27	38,0	1,5 - 4,5	45,0	17,0	13,5	4,8	7,4

Material: TPE
 Available in TPE V0 (UL94) by special request
 SEMKO conformity

Protection grade: IP67
 Working temperature: -50°C ~+125°C

				TITLE SNAP-FIT PG GROMMETS IP67						
				MATERIAL SEE ABOVE			DATE 17/05/2021			
PART NUMBER SEE TABLE				DRAWING NUMBER 21.05.17.904X.0.E				DRAWN R.F.		
								COLOR SEE TABLE		
SIZE A4	SCALE NTS	UNIT mm.	REV A	UNLESS OTHERWISE SPECIFIED TOLERANCE SEE ABOVE			APPROVED			