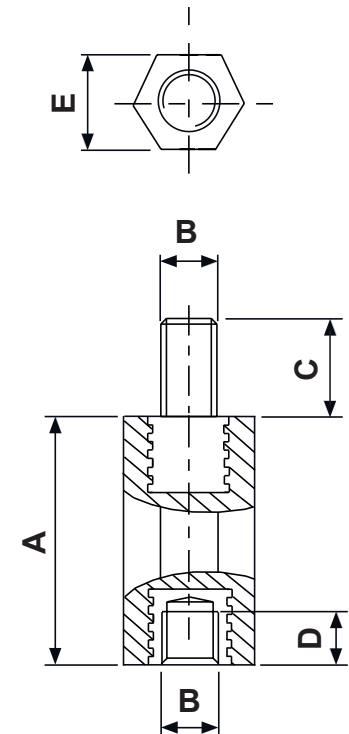


REVISIONS			
REV	DESCRIPTION	DATE	BY

P/N	A	B	C	D	E	COLOUR
10493AA0215.0	15,0	M 2.5	6,0	6,0	6,0	WHITE
10493AA0218.0	18,0	M 2.5	6,0	6,0	6,0	WHITE
10493AA0220.0	20,0	M 2.5	6,0	6,0	6,0	WHITE
10493AA0225.0	25,0	M 2.5	6,0	6,0	6,0	WHITE
10493AA0230.0	30,0	M 2.5	6,0	6,0	6,0	WHITE
10493AA0235.0	35,0	M 2.5	6,0	6,0	6,0	WHITE
10493AA0240.0	40,0	M 2.5	6,0	6,0	6,0	WHITE
7614AA0215.0	15,0	M 3	8,0	6,0	6,0	WHITE
7614AA0218.0	18,0	M 3	8,0	6,0	6,0	WHITE
7614AA0220.0	20,0	M 3	8,0	6,0	6,0	WHITE
7614AA0225.0	25,0	M 3	8,0	6,0	6,0	WHITE
7614AA0230.0	30,0	M 3	8,0	6,0	6,0	WHITE
7614AA0235.0	35,0	M 3	8,0	6,0	6,0	WHITE
7614AA0240.0	40,0	M 3	8,0	6,0	6,0	WHITE
7615AA0215.0	15,0	M 4	8,0	6,0	8,0	WHITE
7615AA0218.0	18,0	M 4	8,0	6,0	8,0	WHITE
7615AA0220.0	20,0	M 4	8,0	6,0	8,0	WHITE
7615AA0225.0	25,0	M 4	8,0	6,0	8,0	WHITE
7615AA0230.0	30,0	M 4	8,0	6,0	8,0	WHITE
7615AA0235.0	35,0	M 4	8,0	6,0	8,0	WHITE
7615AA0240.0	40,0	M 4	8,0	6,0	8,0	WHITE
10496AA0215.0	15,0	M 5	10,0	6,0	10,0	WHITE
10496AA0218.0	18,0	M 5	10,0	6,0	10,0	WHITE

P/N	A	B	C	D	E	COLOUR
10496AA0220.0	20,0	M 5	10,0	6,0	10,0	WHITE
10496AA0225.0	25,0	M 5	10,0	6,0	10,0	WHITE
10496AA0230.0	30,0	M 5	10,0	6,0	10,0	WHITE
10496AA0235.0	35,0	M 5	10,0	6,0	10,0	WHITE
10496AA0240.0	40,0	M 5	10,0	6,0	10,0	WHITE
10497AA0025.0	25,0	M 6	12,0	10,0	13,0	NATURAL
10497AA0030.0	30,0	M 6	12,0	10,0	13,0	NATURAL
10497AA0035.0	35,0	M 6	12,0	10,0	13,0	NATURAL
10497AA0040.0	40,0	M 6	12,0	10,0	13,0	NATURAL
10497AA0045.0	45,0	M 6	12,0	10,0	13,0	NATURAL
10497AA0050.0	50,0	M 6	12,0	10,0	13,0	NATURAL
10498AA0025.0	25,0	M 8	14,0	10,0	15,0	NATURAL
10498AA0030.0	30,0	M 8	14,0	10,0	15,0	NATURAL
10498AA0035.0	35,0	M 8	14,0	10,0	15,0	NATURAL
10498AA0040.0	40,0	M 8	14,0	10,0	15,0	NATURAL
10498AA0045.0	45,0	M 8	14,0	10,0	15,0	NATURAL
10498AA0050.0	50,0	M 8	14,0	10,0	15,0	NATURAL



Body material: PA 6.6
Thread insert: Brass nikel plated
Product flammability: HB (UL94)
Working temperature: 35°C ~ +85°C

*10497AA00 and 10498AA00 have an untreated brass threaded insert

	DESCRIPTION	TITLE: INSULATING PA 6.6 AND BRASS P.C.B. SPACERS	DWG UNIT: MM
MATERIAL: SEE ABOVE		Modelled in RHINO 4.0	FILE: DwN: 05/05/21
COLOUR: SEE TABLE		TOLLERANCES UNLESS NOTED	SHEET: 1 OF 1
		SEE ABOVE	DT: 21.05.05.XXXX.0
			Part Number: SEE TABLE
REV.	DATE	SCALE: NTS	

