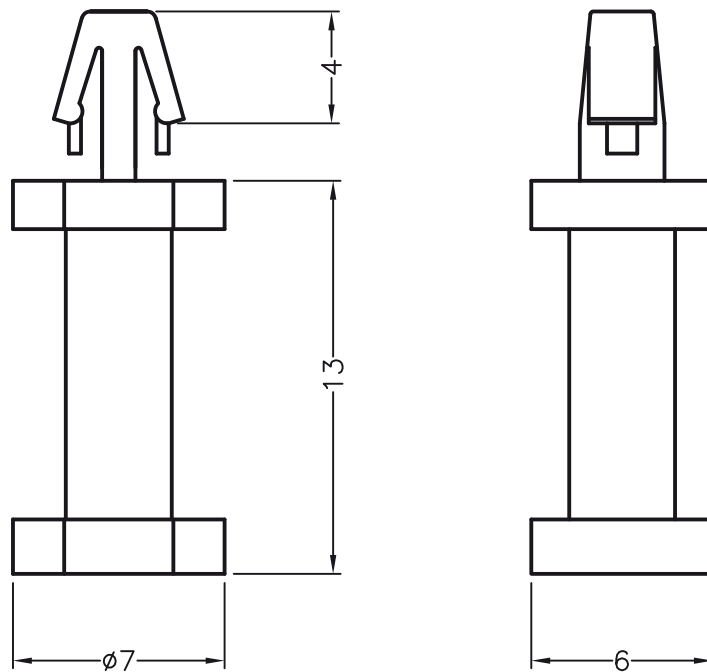


DIM.	TOL
5mm DOWN	±0.2
5~20mm	±0.3
20~40mm	±0.4
40~60mm	±0.5
60~100mm	±0.8
100mm UP	±1.0

REVISIONS			
REV	DESCRIPTION	DATE	BY

P.C.B $\phi 3.0$
THICKNESS 1.2~1.7



TITLE SPACER SUPPORT	
MATERIAL PA 66 V2 UL 94	DATE 17/05/2011
FINISH	DRAWN D.C.
COLOR NATURAL	CHECK
UNLESS OTHERWISE SPECIFIED TOLERANCE SEE ABOVE	APPROVED

PART NUMBER 8186AA00		DRAWING NUMBER 11.05.17.8186.0.E	
SIZE A4	SCALE 4:1	UNIT mm.	REV C