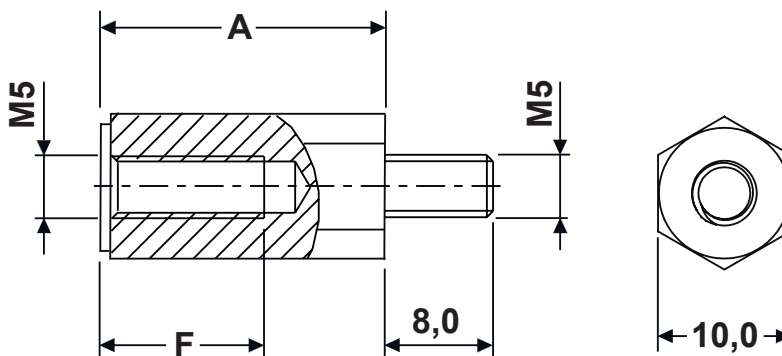


DIM.	TOL.
5mm DOWN	±0.2
5~20mm	±0.3
20~40mm	±0.4
40~60mm	±0.5
60~100mm	±0.8
100mm UP	±1.0

REVISIONS			
REV	DESCRIPTION	DATE	BY

THREAD DEEP	
F	LENGTH
8,0	6,0
9,0	7,0
10,0	8,0
11,0	9,0
12,0 - 65,0	10,0




P/N	A
6925AA0108.0	8.0
6925AA0109.0	9.0
6925AA0110.0	10.0
6925AA0111.0	11.0
6925AA0112.0	12.0
6925AA0113.0	13.0
6925AA0114.0	14.0
6925AA0115.0	15.0
6925AA0116.0	16.0
6925AA0117.0	17.0
6925AA0118.0	18.0
6925AA0119.0	19.0
6925AA0120.0	20.0
6925AA0121.0	21.0
6925AA0122.0	22.0
6925AA0123.0	23.0
6925AA0124.0	24.0
6925AA0125.0	25.0
6925AA0126.0	26.0
6925AA0127.0	27.0

P/N	A
6925AA0128.0	28.0
6925AA0129.0	29.0
6925AA0130.0	30.0
6925AA0131.0	31.0
6925AA0132.0	32.0
6925AA0133.0	33.0
6925AA0134.0	34.0
6925AA0135.0	35.0
6925AA0136.0	36.0
6925AA0137.0	37.0
6925AA0138.0	38.0
6925AA0139.0	39.0
6925AA0140.0	40.0
6925AA0141.0	41.0
6925AA0142.0	42.0
6925AA0143.0	43.0
6925AA0144.0	44.0
6925AA0145.0	45.0
6925AA0146.0	46.0
6925AA0147.0	47.0

P/N	A
6925AA0148.0	48.0
6925AA0149.0	49.0
6925AA0150.0	50.0
6925AA0151.0	51.0
6925AA0152.0	52.0
6925AA0153.0	53.0
6925AA0154.0	54.0
6925AA0155.0	55.0
6925AA0156.0	56.0
6925AA0157.0	57.0
6925AA0158.0	58.0
6925AA0159.0	59.0
6925AA0160.0	60.0
6925AA0161.0	61.0
6925AA0162.0	62.0
6925AA0163.0	63.0
6925AA0164.0	64.0
6925AA0165.0	65.0

WORKING TEMPERATURE: -35°C ~ +130°C

		TITLE HEXAGONAL METRIC THREADED SPACERS	
		MATERIAL PA66 HB(UL94)	DATE 23/04/2021
PART NUMBER SEE TABLE		DRAWN R.F.	
DRAWING NUMBER 21.04.23.6925.0.E		CHECK	
SIZE A4	SCALE NTS	COLOR BLACK	APPROVED
UNIT mm.	REV A	UNLESS OTHERWISE SPECIFIED TOLERANCE SEE ABOVE	