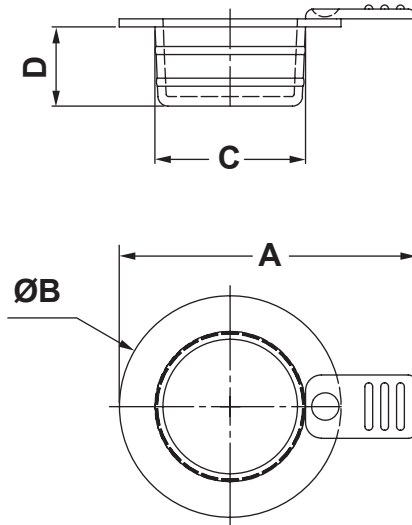



REVISIONS			
REV	DESCRIPTION	DATE	BY



WORKING TEMPERATURE: -35°C ~ +105°C

P/N	Size	A	B	C	D
25129PS01	M6	23,2	15,5	5,5	8,0
25130PS01	M8	25,3	15,0	7,5	8,0
25131PS01	M10	27,3	17,0	9,5	8,0
25132PS01	M12	28,3	17,0	11,5	8,0
25133PS01	M14	31,0	21,0	13,0	10,0
25134PS01	M16	33,3	23,0	15,5	10,0
25135PS01	M18	35,5	26,0	17,0	10,0
25136PS01	M20	37,1	27,5	19,4	12,0
25137PS01	M22	39,4	29,5	21,4	12,0
25138PS01	M24	40,8	28,5	23,5	12,0

		TITLE LATERAL - TAB PULL PLUG	
		MATERIAL TPE	DATE 22/04/2021
PART NUMBER SEE TABLE		DRAWING NUMBER 21.04.22.251XX.0.E	
DRAWN R.F.		COLOR BLACK	CHECK
SIZE A4	SCALE NTS	UNIT mm.	REV A
UNLESS OTHERWISE SPECIFIED TOLERANCE SEE ABOVE		APPROVED	