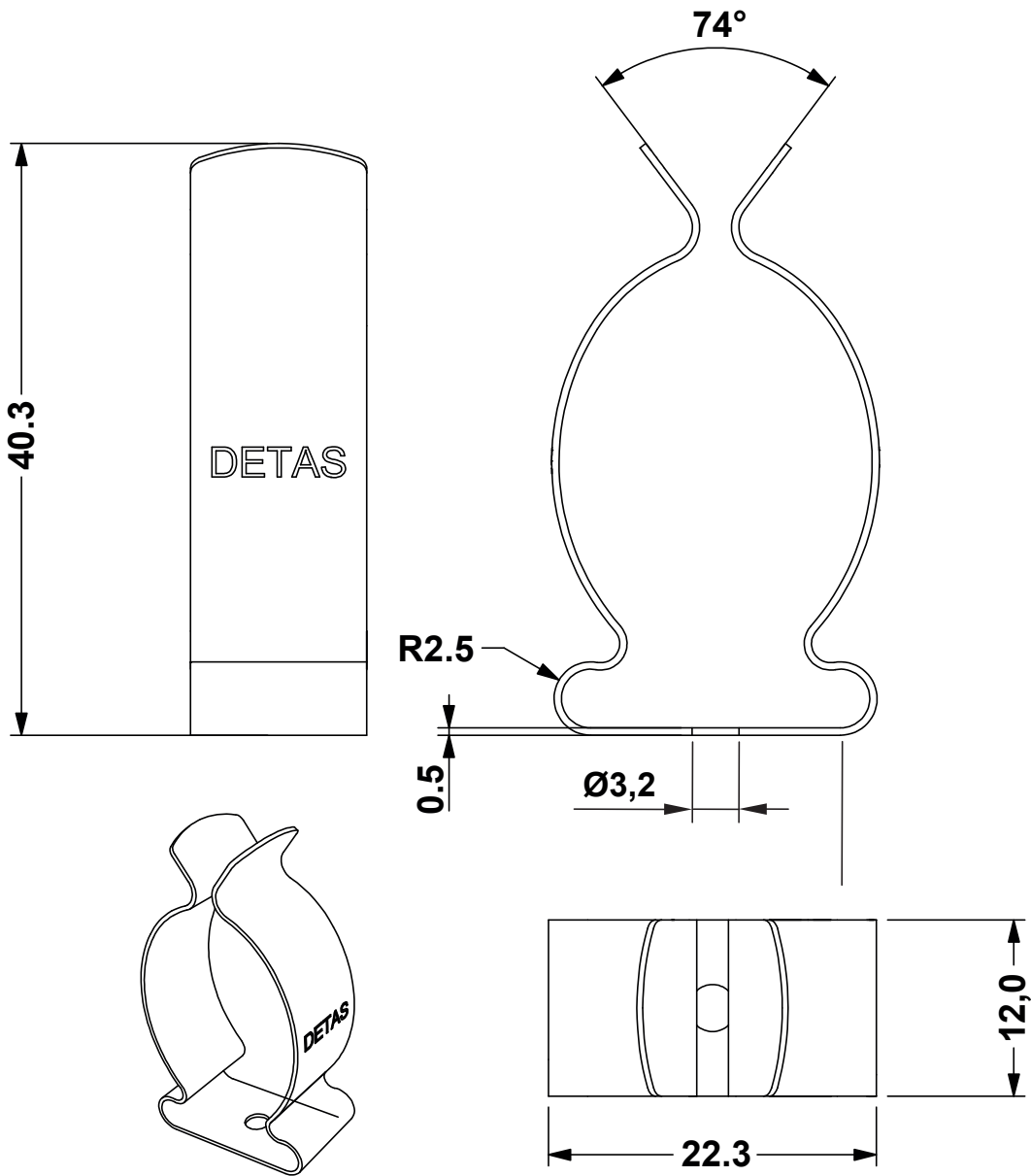


REVISIONS			
REV	DESCRIPTION	DATE	BY



P/N	P/N SUPPLIER
15241MC94	1734010070



		TITLE SHIELD CLAMPS WITHOUT FOOT	
		MATERIAL STEEL	DATE 08/10/2019
PART NUMBER SEE TABLE		DRAWING NUMBER 19.10.08.15241.0.E	
SIZE A4	SCALE 2:1	UNIT mm.	REV A
UNLESS OTHERWISE SPECIFIED TOLERANCE		APPROVED	