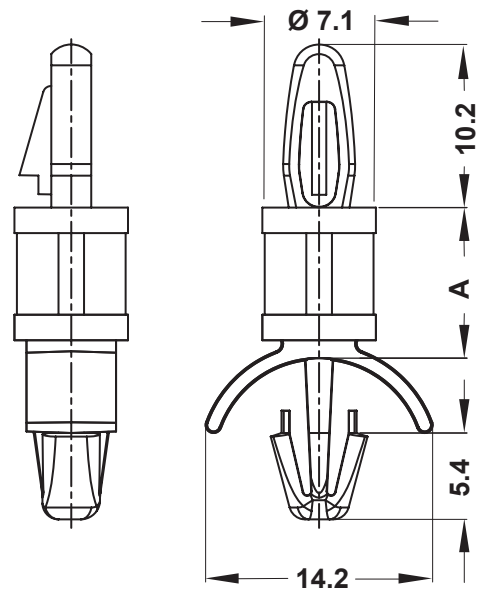


DIM.	TOL.
5mm DOWN	±0.2
5~20mm	±0.3
20~40mm	±0.4
40~60mm	±0.5
60~100mm	±0.8
100mm UP	±1.0

REVISIONS			
REV	DESCRIPTION	DATE	BY


P/N	A
14116AA004.8	4,8
14116AA006.4	6,4
14116AA007.9	7,9
14116AA009.5	9,5
14116AA0011.1	11,1
14116AA0012.7	12,7
14116AA0015.9	15,9
14116AA0019.1	19,1
14116AA0022.2	22,2
14116AA0025.4	25,4
14116AA0028.8	28,8
14116AA0031.7	31,7
14116AA0034.9	34,9

MOUNTING HOLE: Ø 4,0
PANEL THICKNESS: 1,6



MOUNTING HOLE: Ø 4,8
PANEL THICKNESS: 2,0 - 3,6

On special request in Material PA 6.6 UL94V0 available

				TITLE P.C.B. SPACERS	
				MATERIAL PA66 V2(UL94)	DATE 30/04/2021
PART NUMBER SEE TABLE				DRAWING NUMBER 21.04.30.14116.0.E	
				DRAWN R.F.	
SIZE A4				COLOR NATURAL	
				CHECK	
SCALE NTS		UNIT mm.		REV A	
UNLESS OTHERWISE SPECIFIED TOLERANCE SEE ABOVE				APPROVED	