

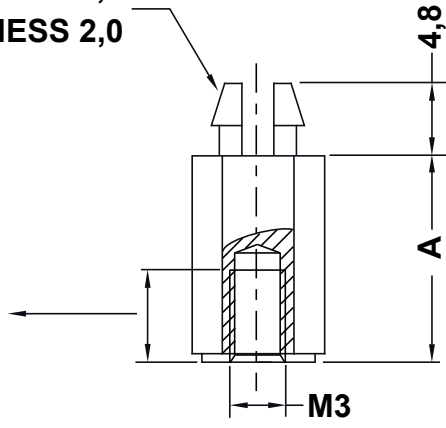
DIM.	TOL.
5mm DOWN	±0.2
5~20mm	±0.3
20~40mm	±0.4
40~60mm	±0.5
60 100mm	±0.8
100mm UP	±1.0

REVISIONS			
REV	DESCRIPTION	DATE	BY



MOUNTING HOLE Ø4,0
PANEL THICKNESS 2,0


THREAD DEEP	
A	LENGTH
5,0	3,0
6,0	4,0
7,0	5,0
8,0	6,0
9,0	7,0
10,0	8,0
11,0	9,0
12,0 - 61,0	10,0



P/N	A
10024AA0105.0	5.0
10024AA0106.0	6.0
10024AA0107.0	7.0
10024AA0108.0	8.0
10024AA0109.0	9.0
10024AA0110.0	10.0
10024AA0111.0	11.0
10024AA0112.0	12.0
10024AA0113.0	13.0
10024AA0114.0	14.0
10024AA0115.0	15.0
10024AA0116.0	16.0
10024AA0117.0	17.0
10024AA0118.0	18.0
10024AA0119.0	19.0
10024AA0120.0	20.0
10024AA0121.0	21.0
10024AA0122.0	22.0
10024AA0123.0	23.0
10024AA0124.0	24.0
10024AA0125.0	25.0

P/N	A
10024AA0126.0	26.0
10024AA0127.0	27.0
10024AA0128.0	28.0
10024AA0129.0	29.0
10024AA0130.0	30.0
10024AA0131.0	31.0
10024AA0132.0	32.0
10024AA0133.0	33.0
10024AA0134.0	34.0
10024AA0135.0	35.0
10024AA0136.0	36.0
10024AA0137.0	37.0
10024AA0138.0	38.0
10024AA0139.0	39.0
10024AA0140.0	40.0
10024AA0141.0	41.0
10024AA0142.0	42.0
10024AA0143.0	43.0
10024AA0144.0	44.0
10024AA0145.0	45.0
10024AA0146.0	46.0

P/N	A
10024AA0147.0	47.0
10024AA0148.0	48.0
10024AA0149.0	49.0
10024AA0150.0	50.0
10024AA0151.0	51.0
10024AA0152.0	52.0
10024AA0153.0	53.0
10024AA0154.0	54.0
10024AA0155.0	55.0
10024AA0156.0	56.0
10024AA0157.0	57.0
10024AA0158.0	58.0
10024AA0159.0	59.0
10024AA0160.0	60.0
10024AA0161.0	61.0

	TITLE METRIC M3 SPACERS WITH SNAP-LOCK HOLE Ø 4,0	
	MATERIAL PA66 HB (UL94)	DATE 14/09/2020
	COLOR BLACK	DRAWN R.F.
PART NUMBER SEE TABLE	DRAWING NUMBER 20.09.14.10024.0.E	CHECK
SIZE A4	SCALE NTS	UNIT mm
REV A	UNLESS OTHERWISE SPECIFIED TOLERANCE SEE ABOVE	
APPROVED		