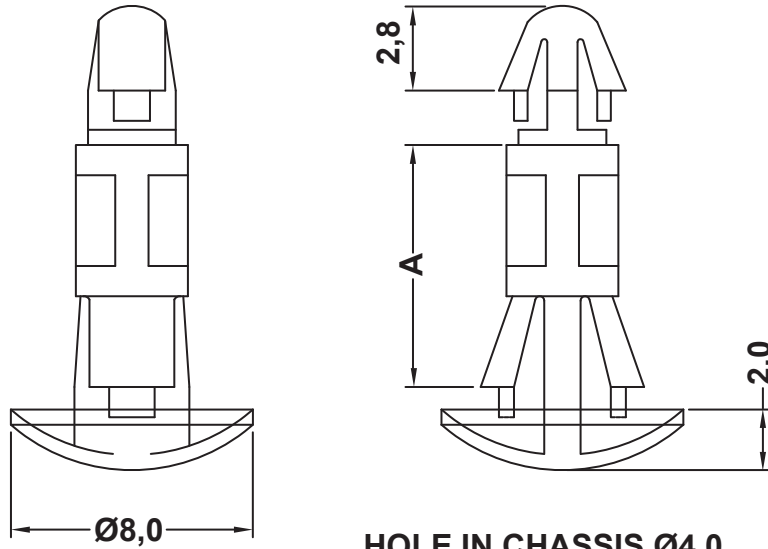


DIM.	TOL.
5mmDOWN.	±0.2
5~20mm	±0.3
20~40mm	±0.4
40~60mm	±0.5
60~100mm	±0.8
100mmUP.	±1.0

REVISIONS			
REV	DESCRIPTION	DATE	BY

**HOLE IN P.C.B. Ø3,0
P.C.B THICKNESS 1.6**



**HOLE IN CHASSIS Ø4,0
CHASSIS THICKNESS 0,8 - 1.6**

P/N	A
8918AA00	6,0
8449AA00	7,0
8450AA00	8,0
8451AA00	9,0
8452AA00	10,0
8453AA00	12,0
8454AA00	14,0
8455AA00	16,0



TITLE REVERSE LOCKING P.C.B. SPACER		
		MATERIAL PA66 V2(UL94)
FINISH		DRAWN R.F.
COLOR NATURAL		CHECK
UNLESS OTHERWISE SPECIFIED TOLERANCE SEE ABOVE		APPROVED

PART NUMBER SEE TABLE		DRAWING NUMBER 21.03.08.8XXX.0.E	
SIZE A4	SCALF NTS	UNIT mm.	REV A