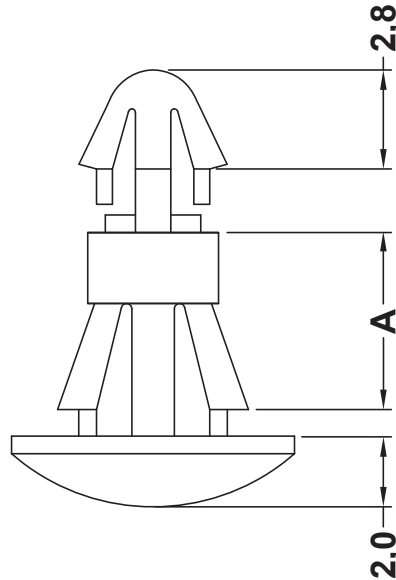
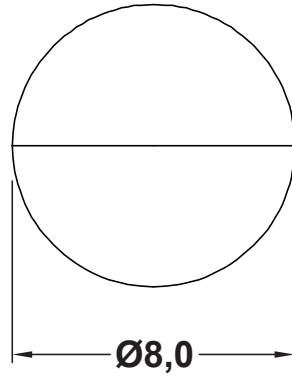



DIM.	TOL.
5mmDOWN.	±0.2
5~20mm	±0.3
20~40mm	±0.4
40~60mm	±0.5
60~100mm	±0.8
100mmUP.	±1.0

REVISIONS			
REV	DESCRIPTION	DATE	BY



P/N	A
8446AA00	3,2
8447AA00	4,0
8448AA00	5,0

		TITLE REVERSE LOCKING P.C.B. SPACER	
		MATERIAL PA66 V2(UL94)	DATE 08/03/2021
PART NUMBER SEE TABLE		DRAWING NUMBER 21.03.08.8XXX.0.E	
FINISH		DRAWN R.F.	
SIZE A4	SCALF NTS	COLOR NATURAL	CHECK
UNIT mm.	REV A	UNLESS OTHERWISE SPECIFIED TOLERANCE SEE ABOVE	APPROVED