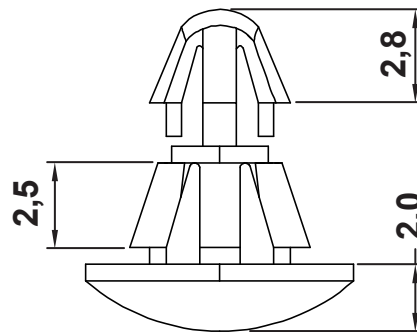
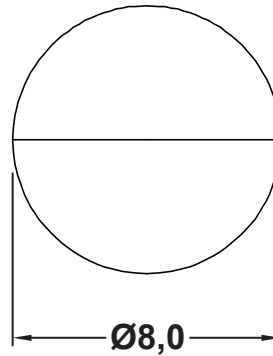
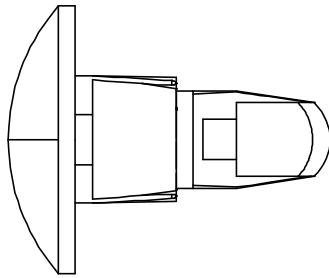



DIM.	TOL.
5mmDOWN.	±0.2
5~20mm	±0.3
20~40mm	±0.4
40~60mm	±0.5
60~100mm	±0.8
100mmUP.	±1.0

REVISIONS			
REV	DESCRIPTION	DATE	BY

**HOLE IN P.C.B. Ø3,0
P.C.B THICKNESS 1.6**



**HOLE IN CHASSIS Ø4,0
CHASSIS THICKNESS 0,8 - 1.6**

				TITLE REVERSE LOCKING P.C.B. SPACER	
				MATERIAL PA66 V2(UL94)	DATE 08/03/2021
PART NUMBER 8445AA00				DRAWN R.F.	
				DRAWING NUMBER 21.03.08.8445.0.E	
SIZE A4	SCALF NTS	UNIT mm.	REV A	COLOR NATURAL	CHECK
UNLESS OTHERWISE SPECIFIED TOLERANCE SEE ABOVE				APPROVED	