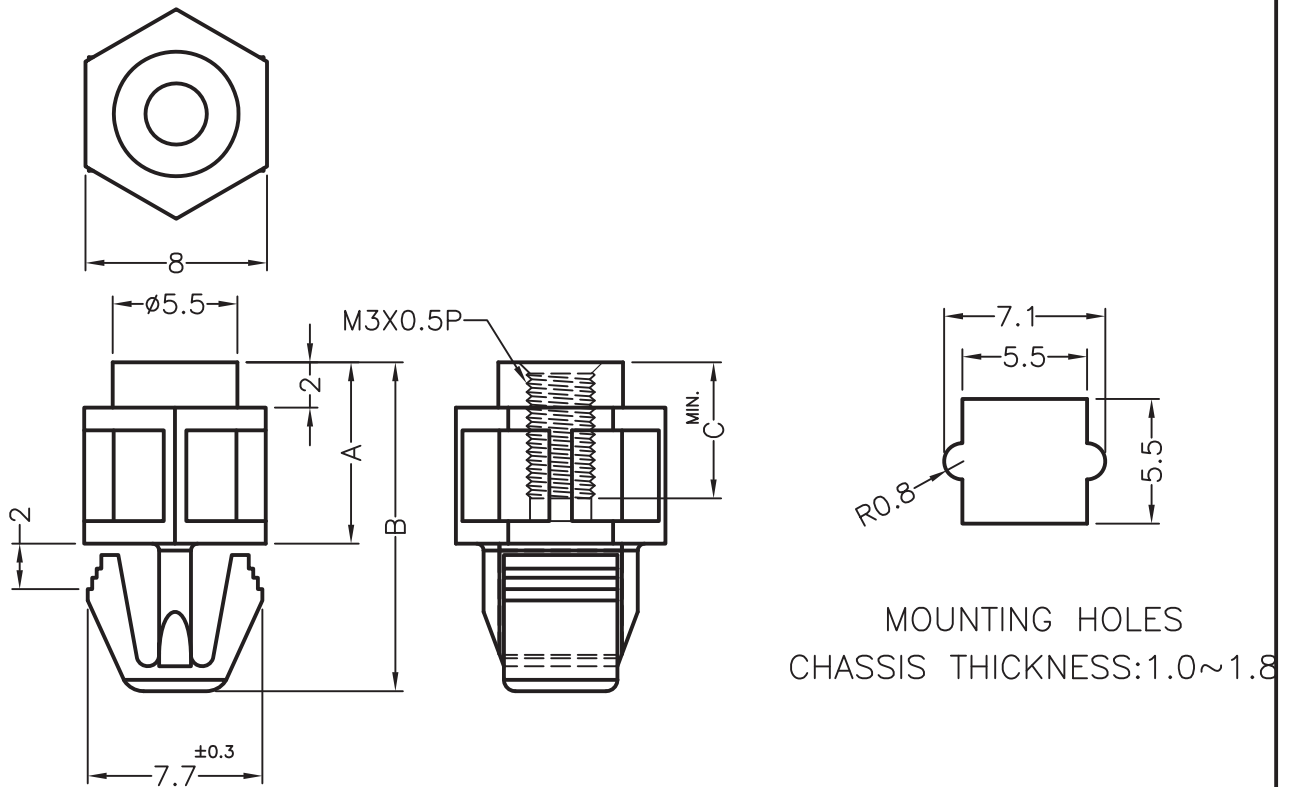


DIM.	TOL
5mm DOWN	±0.2
5~20mm	±0.3
20~40mm	±0.4
40~60mm	±0.5
60~100mm	±0.8
100mm UP	±1.0

REVISIONS			
REV	DESCRIPTION	DATE	BY



MOUNTING HOLES
CHASSIS THICKNESS:1.0~1.8

PART NO.	A	B	C
8357AA00	5	11.5	3
8358AA00	6	12.5	4
8359AA00	6.35	12.85	4.35
8360AA00	8	14.5	6
8361AA00	9.5	16	8
8362AA00	10	16.5	
8363AA00	12	18.5	
8364AA00	12.7	19.2	
8365AA00	15.9	22.4	
8366AA00	18	24.5	
8367AA00	20	26.5	
8368AA00	22	28.5	
8369AA00	25.4	31.9	



TITLE METRIC PCB SPACER WITH SNAP-LOCK		MATERIAL PA66 V2 UL 94		DATE 17/05/2011	
		COLOR NATURAL		DRAWN D.C.	
PART NUMBER SEE TABLE		DRAWING NUMBER 11.05.17.8357.0.E		CHECK 	
SIZE A4		SCALE NTS		UNLESS OTHERWISE SPECIFIED TOLERANCE SEE ABOVE	
UNIT mm.		REV A		APPROVED 	