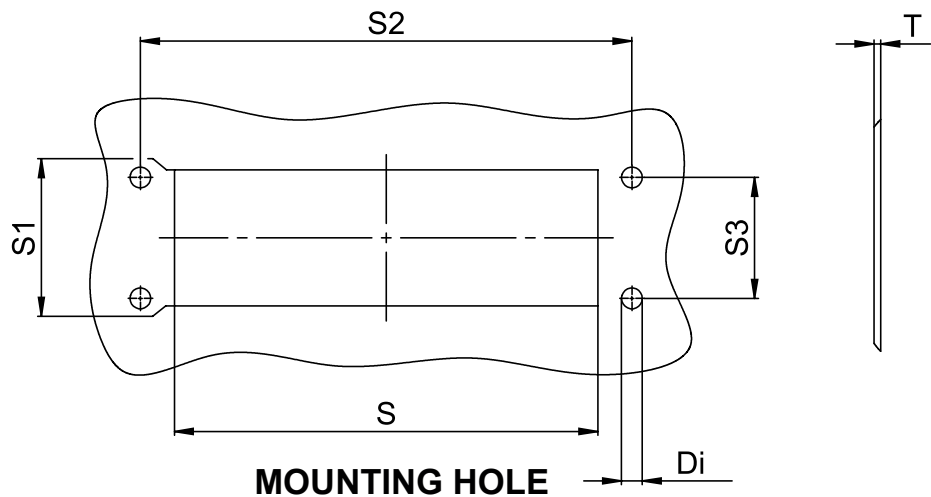
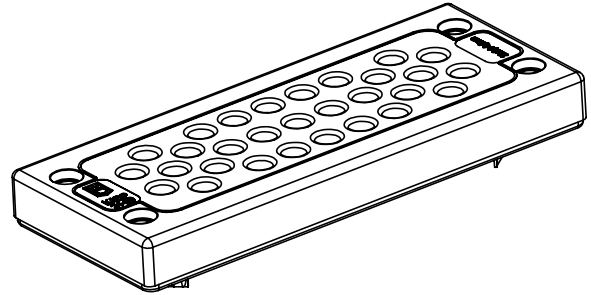
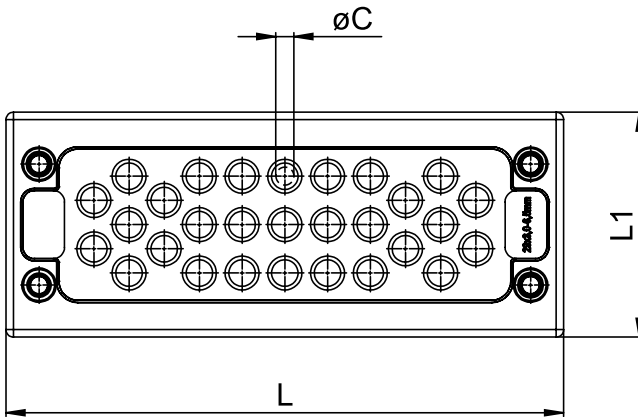
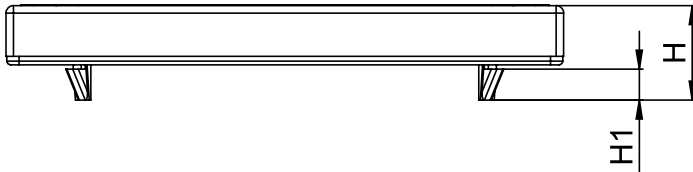


REVISIONS			
REV	DESCRIPTION	DATE	BY



**MATERIAL:**

PA6  
TPE  
EPDM

**MOUNTING HOLE**

øC	L	L1	H	H1	Di	T	S	S1	S2	S3
3 - 6,5 (29x)	147,5	59,5	25	8,2	5,5 (4x)	1,5 - 2	112	36	130	32

				TITLE <b>MULTIGATES CABLE GLAND PLATE IP66</b>			
				MATERIAL SEE ABOVE		DATE 08/02/2020	
PART NUMBER 15161BR01		DRAWING NUMBER 20.02.08.15161.0.E		DRAWN R.F.		CHECK	
SIZE A4		SCALE NTS		COLOR BLACK		UNLESS OTHERWISE SPECIFIED TOLERANCE	
UNIT mm.		REV A		APPROVED			