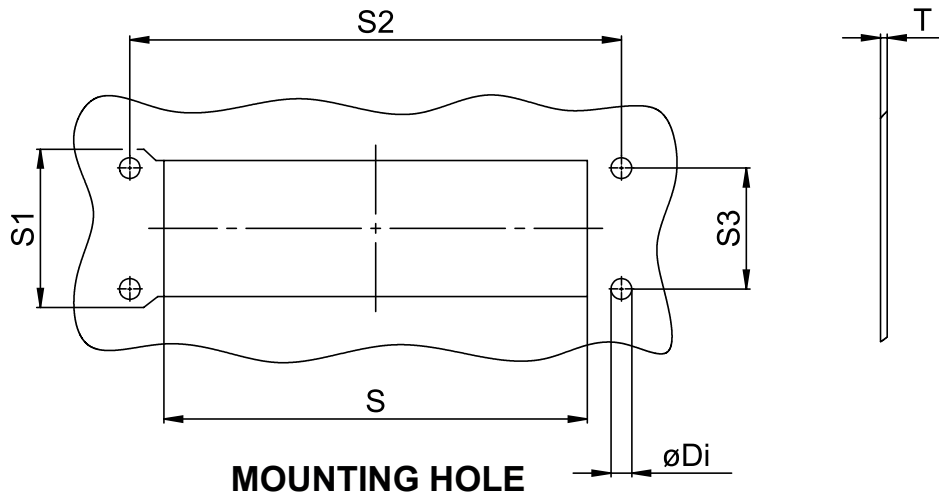
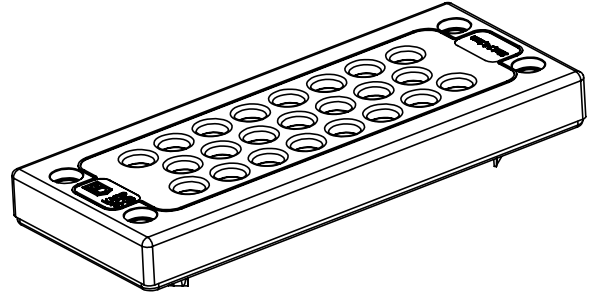
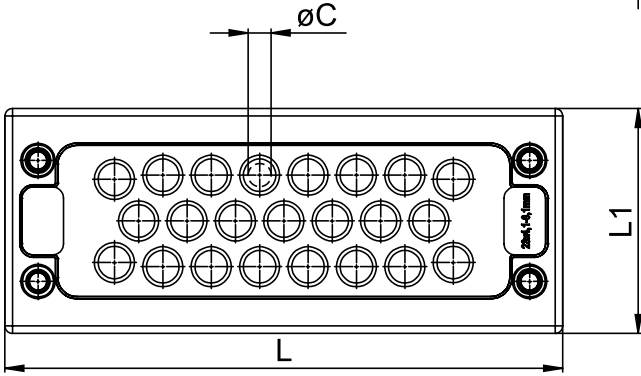
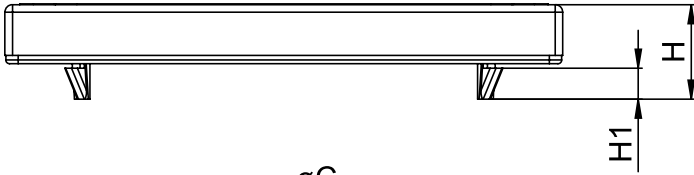


REVISIONS			
REV	DESCRIPTION	DATE	BY



MATERIAL:
PA6
TPE
EPDM

øC	L	L1	H	H1	Di	T	S	S1	S2	S3
4,1 - 8,1 (23x)	147,5	59,5	25	8,2	5,5 (4x)	1,5 - 2	112	36	130	32

				TITLE MULTIGATES CABLE GLAND PLATE IP66					
				MATERIAL SEE ABOVE			DATE 08/02/2020		
PART NUMBER 15160BR01				DRAWING NUMBER 20.02.08.15160.0.E					
SIZE A4				SCALE NTS		UNIT mm.		REV A	
COLOR BLACK				UNLESS OTHERWISE SPECIFIED TOLERANCE				CHECK APPROVED	