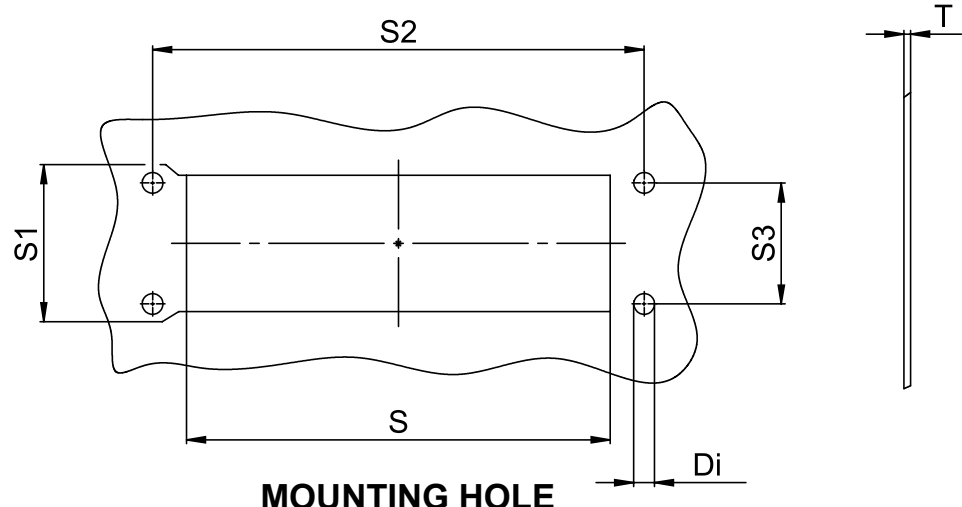
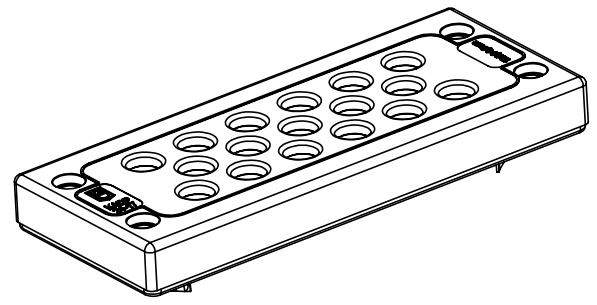
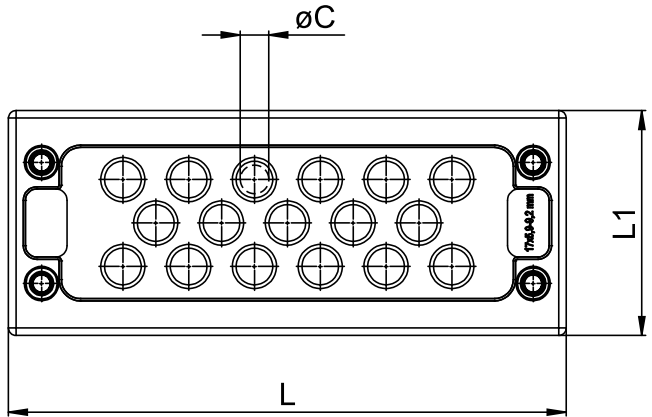
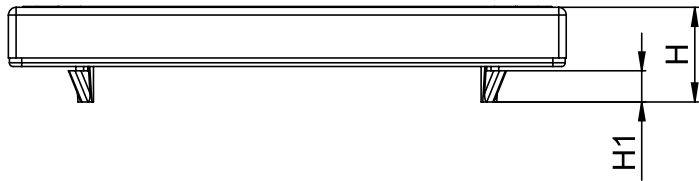


REVISIONS			
REV	DESCRIPTION	DATE	BY



MATERIAL:
 PA6
 TPE
 EPDM

MOUNTING HOLE

ØC	L	L1	H	H1	Di	T	S	S1	S2	S3
5,0 - 9,2 (17x)	59,5	147,5	25	8,2	5,5 (4x)	1,5 - 2	112	36	130	32



TITLE **MULTIGATES CABLE GLAND PLATE IP66**

MATERIAL **SEE ABOVE** DATE **08/02/2020**

COLOR **BLACK** DRAWN **R.F.**

PART NUMBER **15157BR01** DRAWING NUMBER **20.02.08.15157.0.E**

UNLESS OTHERWISE SPECIFIED TOLERANCE APPROVED

SIZE **A4** SCALE **NTS** UNIT **mm.** REV **A**