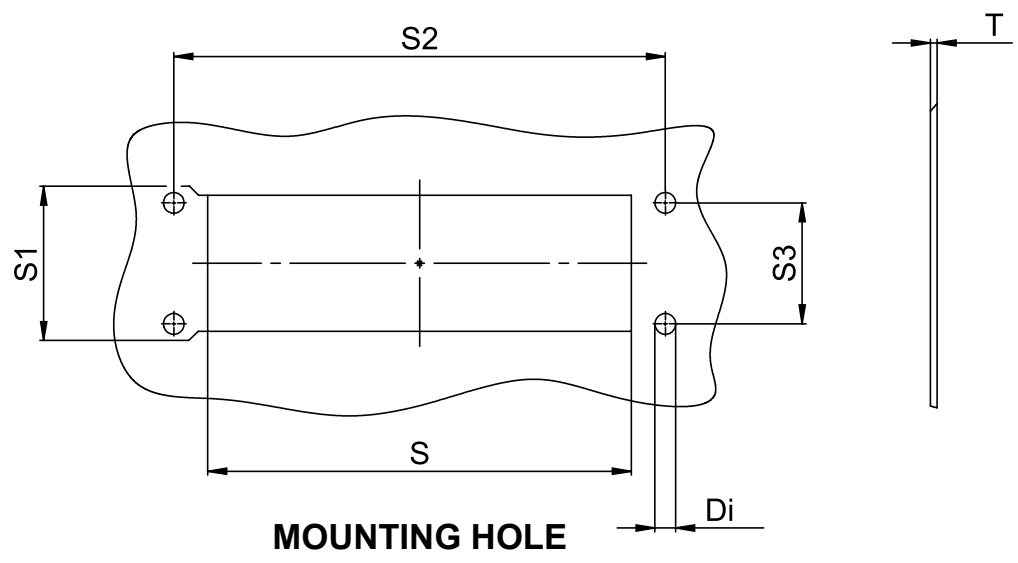
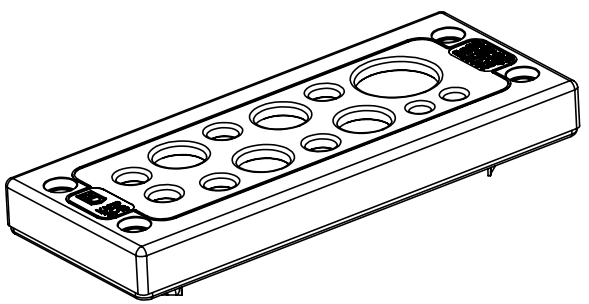
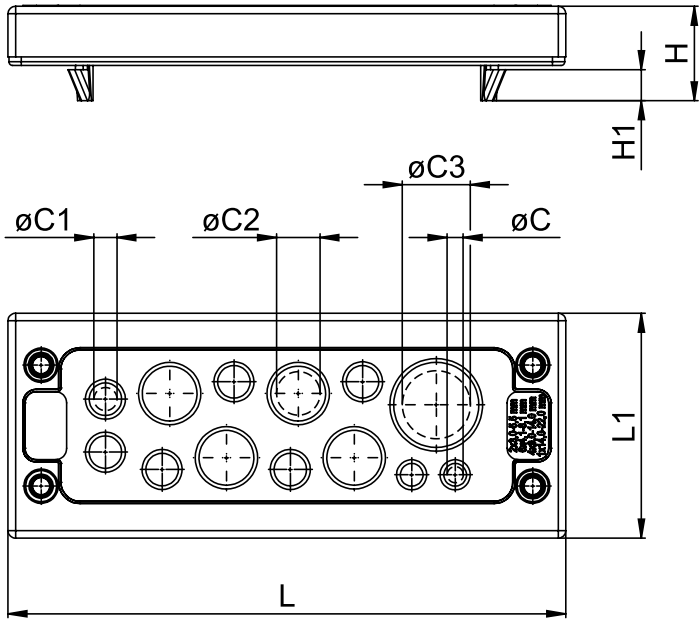


REVISIONS			
REV	DESCRIPTION	DATE	BY



MATERIAL:
PA6
TPE
EPDM

MOUNTING HOLE

ØC	ØC1	ØC2	ØC3	L	L1	H	H1	Di	T	S	S1	S2	S3
3 - 5,5 (2x)	4,1 - 8,1 (6x)	9 - 14 (4x)	14 - 20	147,5	59,5	25	8,2	5,5 (4x)	1,5 - 2	112	36	130	32



TITLE MULTIGATES CABLE GLAND PLATE IP66	
MATERIAL SEE ABOVE	DATE 08/02/2020
COLOR BLACK	DRAWN R.F.
PART NUMBER 15155BR01	CHECK
DRAWING NUMBER 20.02.08.15155.0.E	APPROVED
SIZE A4	SCALE NTS
UNIT mm.	REV A
UNLESS OTHERWISE SPECIFIED TOLERANCE	