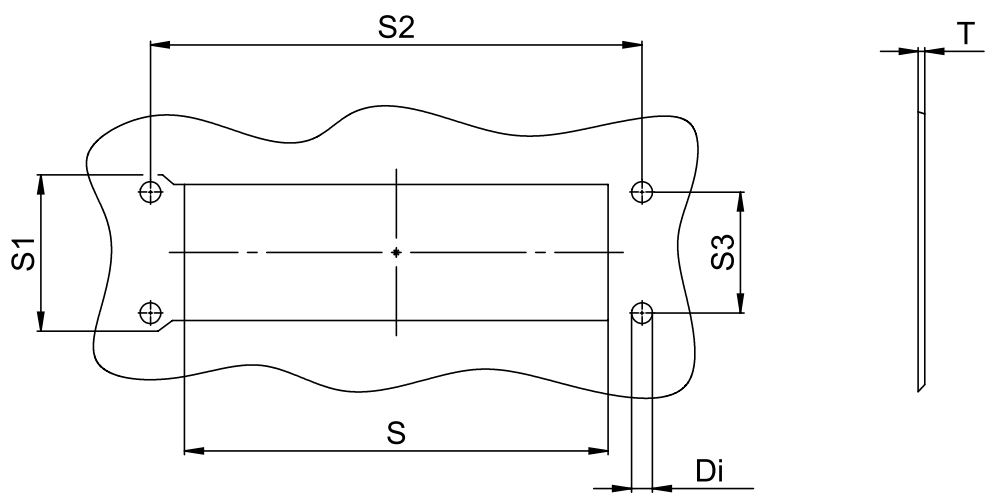
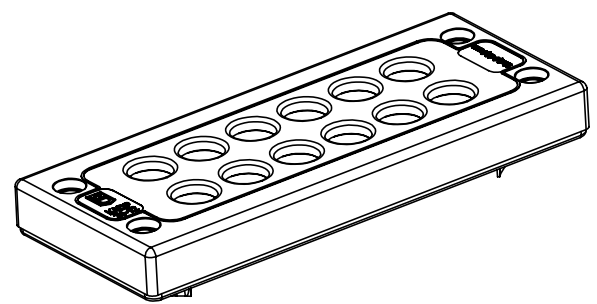
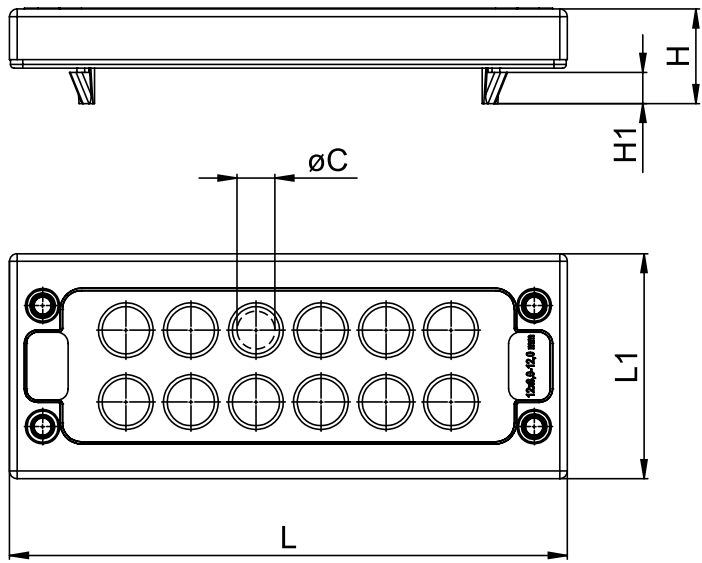


REVISIONS			
REV	DESCRIPTION	DATE	BY



MATERIAL:
PA6
TPE
EPDM

MOUNTING HOLE

ØC	L	L1	H	H1	Di	T	S	S1	S2	S3
8 -12 (12x)	147,5	59,5	25	8,2	5,5 (4x)	1,5 - 2	112	36	130	32



TITLE MULTIGATES CABLE GLAND PLATE IP66	
MATERIAL SEE ABOVE	DATE 08/02/2020
	DRAWN R.F.
COLOR BLACK	CHECK
UNLESS OTHERWISE SPECIFIED TOLERANCE	APPROVED

PART NUMBER 15154BR01		DRAWING NUMBER 20.02.08.15154.0.E	
SIZE A4	SCALE NTS	UNIT mm.	REV A