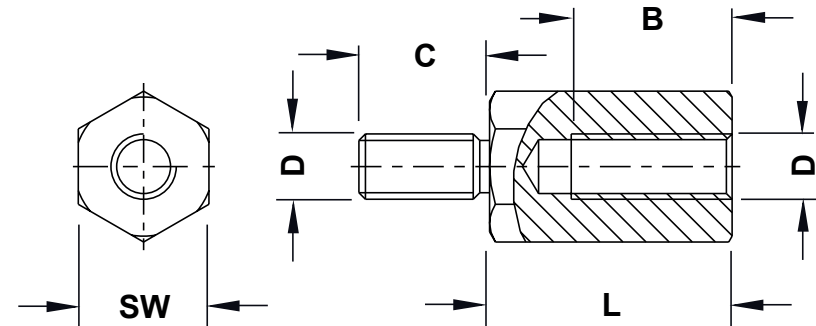


P/N	SW	D	C	D	L
10813MC94	SW 4.0	M2	5,0	3,0	5.0
	SW 4.0	M2	5,0	6,0	8.0 / 10.0 / 12.0 / 15.0 / 18.0 / 20.0 / 25.0 / 30.0 / 35.0 / 40.0
10814MC94	SW 4.0	M2.5	6,0	3,0	5.0
	SW 4.0	M2.5	6,0	6,0	8.0 / 10.0 / 12.0
	SW 4.0	M2.5	6,0	10,0	15.0 / 18.0 / 20.0 / 25.0 / 30.0 / 35.0 / 40.0
10815MC94	SW 5.0	M2.5	6,0	3,0	5.0
	SW 5.0	M2.5	6,0	6,0	8.0 / 10.0 / 12.0
	SW 5.0	M2.5	6,0	10,0	15.0 / 18.0 / 20.0 / 25.0 / 30.0 / 35.0 / 40.0
10816MC94	SW 5.0	M3	6,0	3,0	5.0
	SW 5.0	M3	6,0	6,0	8.0 / 10.0 / 12.0
	SW 5.0	M3	6,0	10,0	15.0 / 18.0 / 20.0 / 25.0 / 30.0 / 35.0 / 40.0
10817MC94	SW 5.5	M3	6,0	3,0	5.0 / 6.0 / 7.0
	SW 5.5	M3	6,0	6,0	8.0 / 9.0 / 10.0 / 11.0 / 12.0
	SW 5.5	M3	6,0	10,0	15.0 / 18.0 / 20.0 / 25.0 / 30.0 / 35.0 / 40.0 / 45.0 / 50.0 / 60.0
10818MC94	SW 6.0	M3	6,0	3,0	5.0 / 6.0
	SW 6.0	M3	6,0	6,0	8.0 / 9.0 / 10.0 / 11.0 / 12.0 / 13.0 / 14.0 / 15.0 / 16.0 / 17.0
	SW 6.0	M3	6,0	10,0	18.0 / 19.0 / 20.0 / 25.0 / 30.0 / 35.0 / 40.0 / 45.0 / 50.0 / 60.0
10819MC94	SW 7.0	M4	8,0	3,0	5.0 / 6.0 / 7.0
	SW 7.0	M4	8,0	6,0	8.0 / 9.0 / 10.0 / 11.0 / 12.0 / 13.0 / 14.0
	SW 7.0	M4	8,0	10,0	15.0 / 16.0 / 17.0 / 18.0 / 19.0 / 20.0 / 25.0 / 30.0 / 35.0 / 40.0 / 45.0 / 50.0 / 55.0 / 60.0 / 65.0 / 70.0
10820MC94	SW 8.0	M4	8,0		5.0
	SW 8.0	M4	8,0	6,0	8.0 / 9.0 / 10.0 / 11.0 / 12.0 / 13.0 / 14.0
	SW 8.0	M4	8,0	10,0	15.0 / 18.0 / 20.0 / 25.0 / 30.0 / 35.0 / 40.0 / 45.0 / 50.0 / 55.0 / 60.0 / 65.0 / 70.0 / 75.0 / 80.0
10821MC94	SW 8.0	M5	8,0	6,0	8.0 / 10.0 / 11.0
	SW 8.0	M5	8,0	8,0	12.0 / 13.0 / 14.0
	SW 8.0	M5	8,0	10,0	15.0 / 18.0 / 20.0 / 25.0 / 30.0 / 35.0 / 40.0 / 45.0 / 50.0 / 55.0 / 60.0 / 65.0 / 70.0 / 75.0 / 80.0
10822MC94	SW10.0	M6	10,0	6,0	10.0 / 12.0
	SW10.0	M6	10,0	10,0	15.0 / 18.0 / 20.0 / 25.0 / 30.0 / 35.0 / 40.0 / 45.0 / 50.0 / 55.0 / 60.0 / 65.0 / 70.0 / 75.0 / 80.0



Order Information:

By order pls add the length of the requested Part at the end of the Part No.

**Example**

10813MC9408.0 for a Spacer with a length of 8.0mm

Increments : 1,0mm special length of special request

REV.	DESCRIPTION	DATE	TITLE: THREADED SPACER STEEL	DWG UNIT: MM
	MATERIAL: Steel: 1.0718 / DMS 200 Surface: Zinc plated A3F		Modelled in RHINO 4.0	FILE:
			TOLERANCES DIN ISO2768 m	DwN: DT: 21/03/25108XX.0.E
			SHEET: 1 OF 1	ChkD: Part Number: SEE TABLE
			SCALE: NTS	