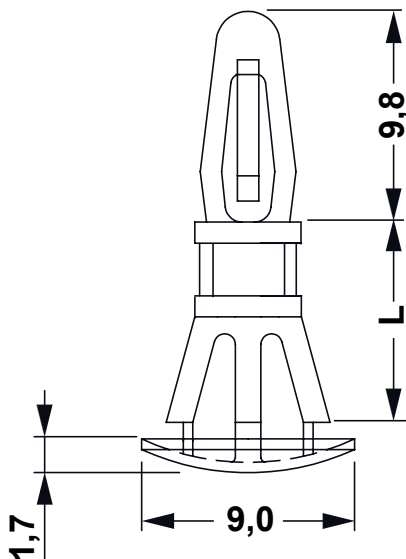


DIM.	TOL.
5mm DOWN	±0.2
5~20mm	±0.3
20~40mm	±0.4
40~60mm	±0.5
60~100mm	±0.8
100mm UP	±1.0

REVISIONS			
REV	DESCRIPTION	DATE	BY

**MOUNTING HOLE Ø3,2
PANEL THICKNESS 1,5**




**MOUNTING HOLE Ø5,0
PANEL THICKNESS 1,0**

P/N	L
10000AA0104.0	4.0
10000AA0105.0	5.0
10000AA0106.0	6.0
10000AA0107.0	7.0
10000AA0108.0	8.0
10000AA0109.0	9.0
10000AA0110.0	10.0
10000AA0111.0	11.0
10000AA0112.0	12.0
10000AA0113.0	13.0
10000AA0114.0	14.0
10000AA0115.0	15.0

P/N	L
10000AA0116.0	16.0
10000AA0117.0	17.0
10000AA0118.0	18.0
10000AA0119.0	19.0
10000AA0120.0	20.0
10000AA0121.0	21.0
10000AA0122.0	22.0
10000AA0123.0	23.0
10000AA0124.0	24.0
10000AA0125.0	25.0
10000AA0126.0	26.0
10000AA0127.0	27.0

P/N	L
10000AA0128.0	28.0
10000AA0129.0	29.0
10000AA0130.0	30.0
10000AA0131.0	31.0
10000AA0132.0	32.0
10000AA0133.0	33.0
10000AA0134.0	34.0
10000AA0135.0	35.0
10000AA0136.0	36.0

				TITLE REVERSE LOCKING P.C.B SPACER	
				MATERIAL PA 66 HB(UL94)	
PART NUMBER SEE TABLE				DRAWN R.F.	
DRAWING NUMBER 19.12.04.10000.0.E				CHECK	
COLOR BLACK				APPROVED	
SIZE A4	SCALE NTS	UNIT mm.	REV A	UNLESS OTHERWISE SPECIFIED TOLERANCE SEE ABOVE	